



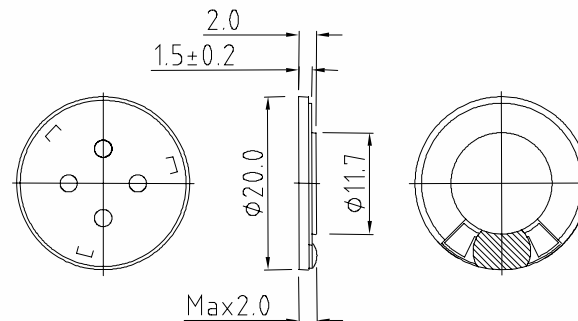
# Dynamic Receiver (PCB)

공개용

Model Name : PRC-2020P Series



## Mechanical Dimension



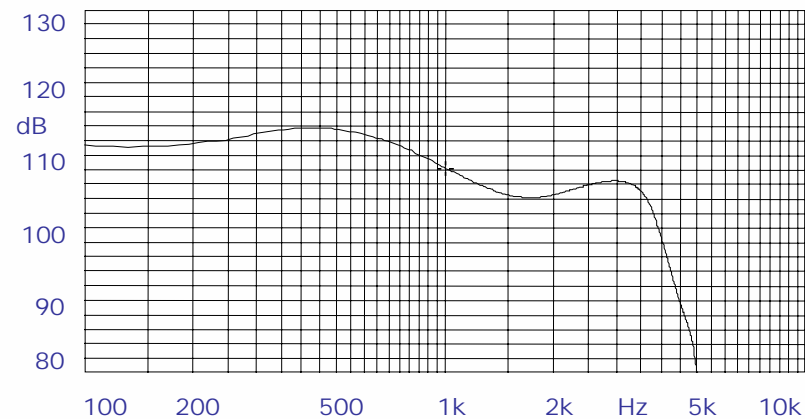
## Features

- Ultra small & high voice quality
- Applicable to Mobile & Wireless Phone
- Custom design available

## Electrical Characteristics

Parameter	Specification	Unit
Impedance 1 KHz/ 0.5 Vrms	32	
Sound Pressure Level 1mw/1KHz	104 3	dB
Power Rating (Nom/Max)	10 / -	mW
Frequency Range	0.3 ~ 3.4	KHz
Dimension (D X H)	20 X 2.0	mm

## Typical Frequency Response



공개용



# Dynamic Receiver (Spring)

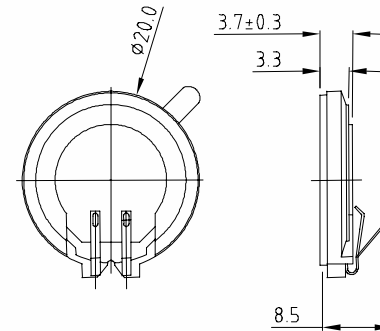
공개용



Model Name : PRC-2037S Series



## Mechanical Dimension



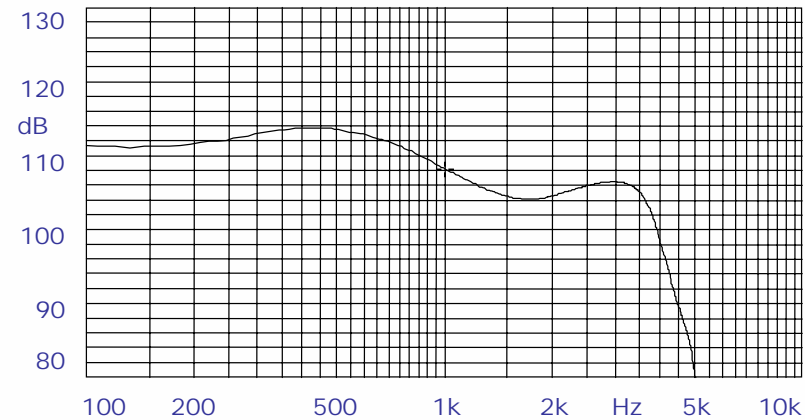
## Features

- Ultra small & high voice quality
- Applicable to Mobile & Wireless Phone
- Custom design available

## Electrical Characteristics

Parameter	Specification	Unit
Impedance 1 KHz/ 0.5 Vrms	32	
Sound Pressure Level 1mw/1KHz	107 3	dB
Power Rating (Nom/Max)	100 / 150	mW
Frequency Range	0.3 ~ 3.4	KHz
Dimension (D X H)	20 X 3.7	mm

## Typical Frequency Response



공개용

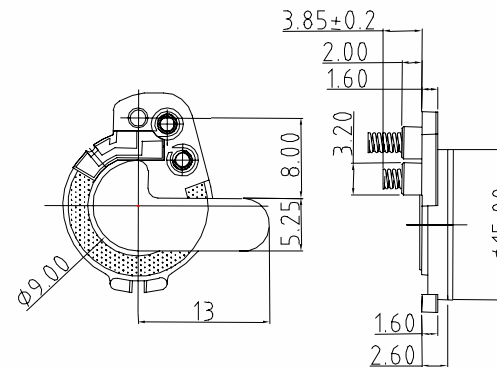
# Dynamic Receiver (Spring)

공개용

Model Name : PRC-1539S Series



## Mechanical Dimension



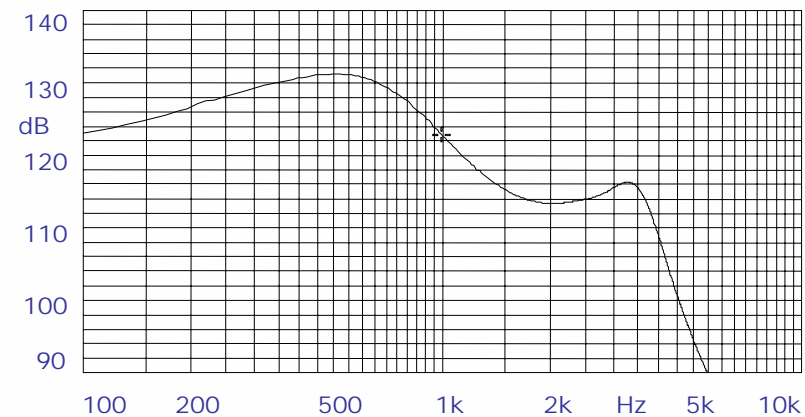
## Features

- Ultra small & high voice quality
- Applicable to Mobile Phone & Wireless Phone
- Custom design available

## Electrical Characteristics

Parameter	Specification	Unit
Impedance 1 KHz/ 0.5 Vrms	32	
Sound Pressure Level 10mw/1KHz	107 3	dB
Power Rating (Nom/Max)	10 / 20	mW
Frequency Range	0.1 ~ 3.4	KHz
Dimension (D X H)	15 X 3.9	mm

## Typical Frequency Response



공개용



# Dynamic Receiver (Spring)

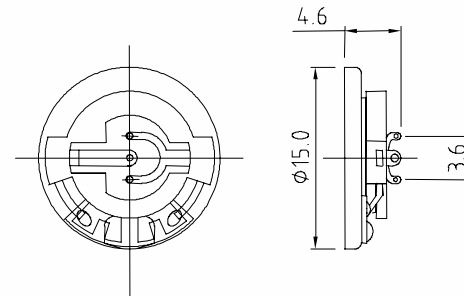
공개용



Model Name : PRC-1546S Series



## Mechanical Dimension



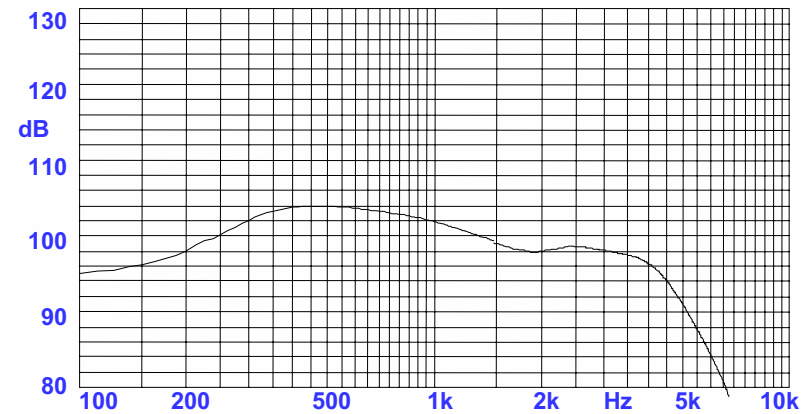
## Features

- Easy mounting available & high sound pressure level
- Applicable to Mobile & Wireless Phone
- Custom design available

## Electrical Characteristics

Parameter	Specification	Unit
Impedance 1 KHz/ 0.5 Vrms	32	
Sound Pressure Level 1mw/1KHz	100 3	dB
Power Rating (Nom/Max)	10 / 50	mW
Frequency Range	0.3 ~ 3.4	KHz
Dimension (D X H)	15 X 4.6	mm

## Typical Frequency Response



공개용



# Dynamic Receiver (Spring)

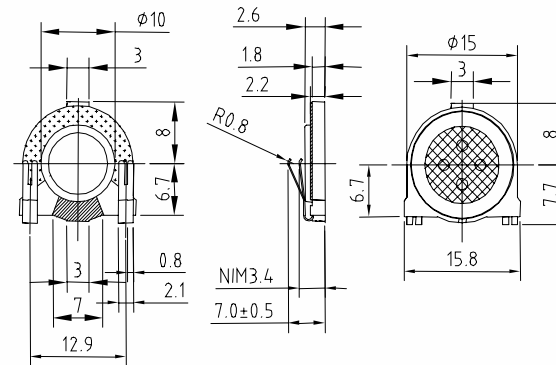
공개용



Model Name : PRR-1526S Series



## Mechanical Dimension



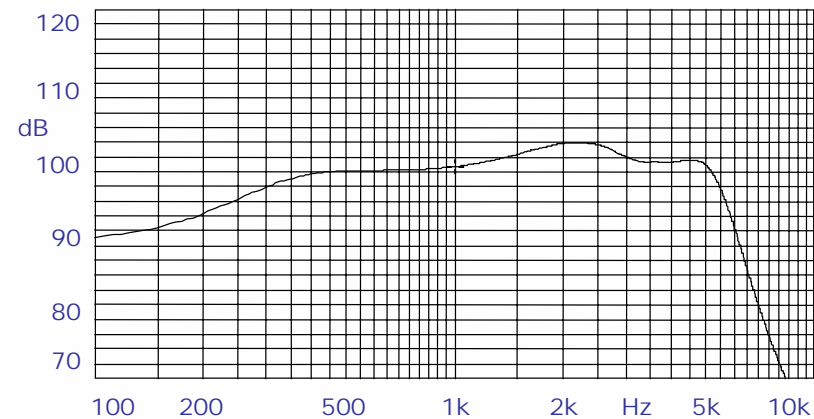
## Features

- Ultra small & high voice quality
- Applicable to Mobile & Wireless Phone
- Custom design available

## Electrical Characteristics

Parameter	Specification	Unit
Impedance 1 KHz/ 0.5 Vrms	32	
Sound Pressure Level 1mw/1KHz	100 3	dB
Power Rating (Nom/Max)	11.2 / 50	mW
Frequency Range	0.3 ~ 6	KHz
Dimension (D X H)	15 X 2.6	mm

## Typical Frequency Response



공개용



# Dynamic Receiver (Spring)

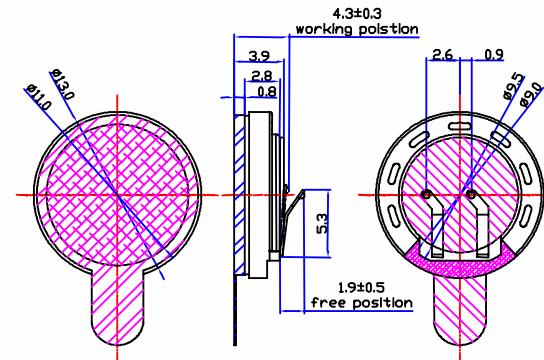
공개용



Model Name : PRC-1328S Series



## Mechanical Dimension



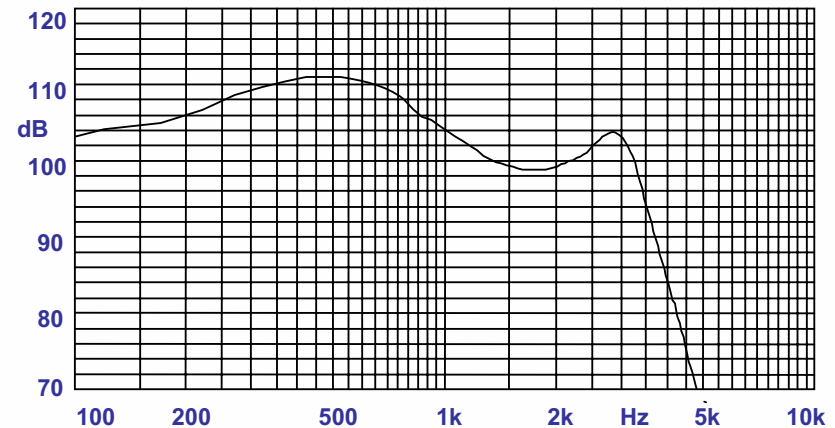
## Features

- Ultra small & high voice quality
- Applicable to Mobile & Wireless Phone
- Custom design available

## Electrical Characteristics

Parameter	Specification	Unit
Impedance 1.0 KHz/ 1.0 Vrms	32	
Sound Pressure Level 100mV/1KHz	104 3	dB
Power Rating (Nom/Max)	30 / 50	mW
Frequency Range	0.3 ~ 3.4	KHz
Dimension (D X H)	Φ13 X 2.8	mm

## Typical Frequency Response



공개용





# Dynamic Receiver (PCB)

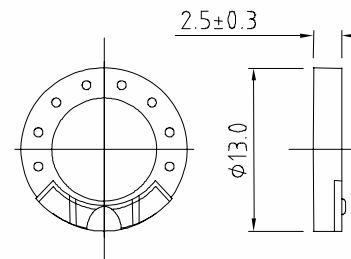
공개용



Model Name : PRC-1325P Series



## Mechanical Dimension



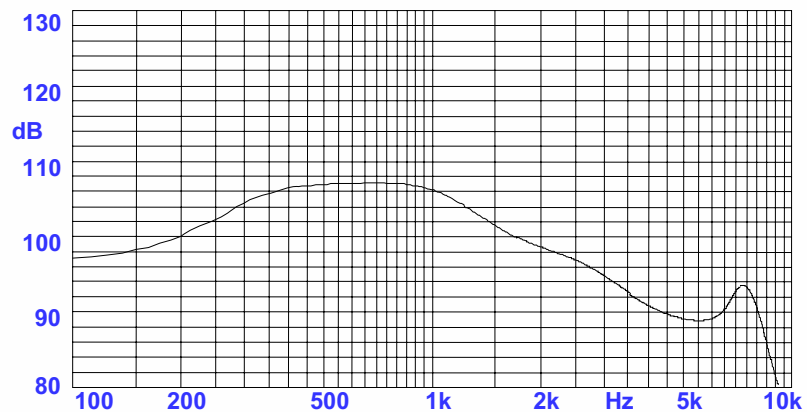
## Features

- Ultra thin & high sound pressure level
- Applicable to Mobile & Wireless Phone
- Custom design available

## Electrical Characteristics

Parameter	Specification	Unit
Impedance 1.0 KHz/ 0.5 Vrms	32	
Sound Pressure Level 1mw/1KHz	105 3	dB
Power Rating (Nom/Max)	10 / 20	mW
Frequency Range	0.1 ~ 10	KHz
Dimension (D X H)	13 X 2.5	mm

## Typical Frequency Response



공개용



# Dynamic Receiver (PCB)

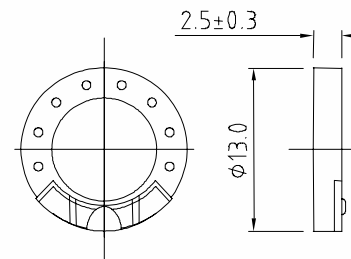
공개용



Model Name : PRC-1325P Series



## Mechanical Dimension



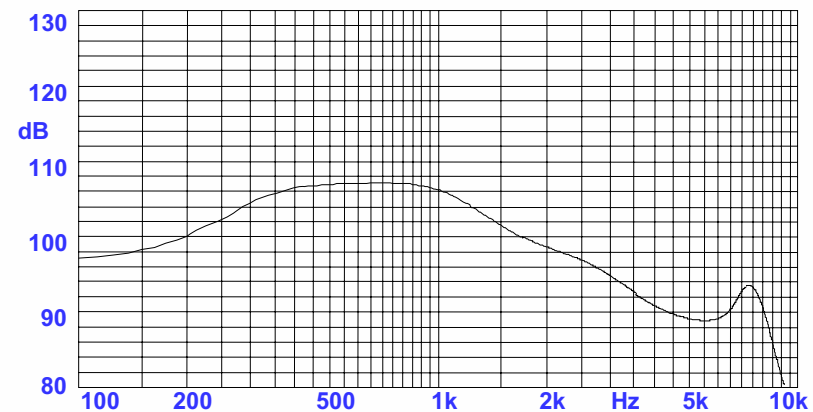
## Features

- Ultra thin & high sound pressure level
- Applicable to Mobile & Wireless Phone
- Custom design available

## Electrical Characteristics

Parameter	Specification	Unit
Impedance 1.0 KHz/ 0.5 Vrms	32	
Sound Pressure Level 1mw/1KHz	105 3	dB
Power Rating (Nom/Max)	10 / 20	mW
Frequency Range	0.1 ~ 10	KHz
Dimension (D X H)	13 X 2.5	mm

## Typical Frequency Response



공개용





# Dynamic Receiver )

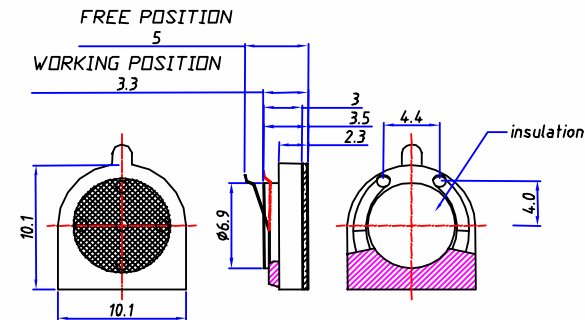
공개용



Model Name : PRR-1025S Series



## Mechanical Dimension



## Features

- Ultra small & high voice quality
- Use only for receiver unit
- Custom design available

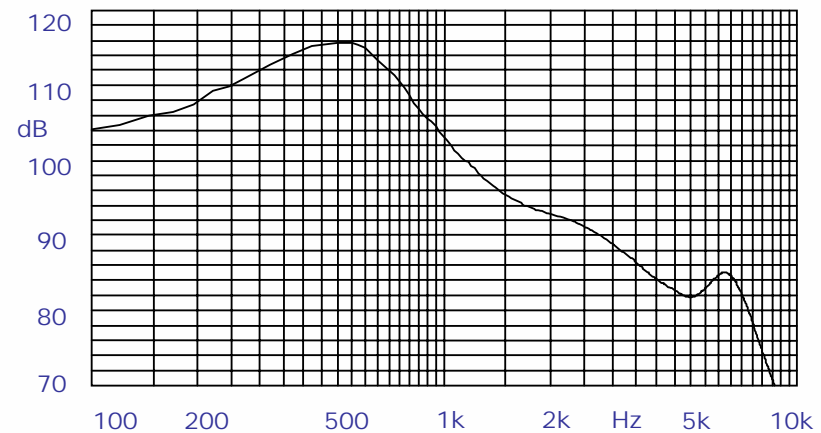


## Electrical Characteristics

Parameter	Specification	Unit
Impedance 1.0 KHz/ 1.0 Vrms	32	
Sound Pressure Level 100mV/1KHz	104 3	dB
Power Rating (Nom/Max)	10 / 20	mW
Frequency Range	0.3 ~ 3.4	KHz
Dimension (D X H)	10 X 2.5	mm



## Typical Frequency Response



공개용



# Dynamic Receiver (SMD Type)

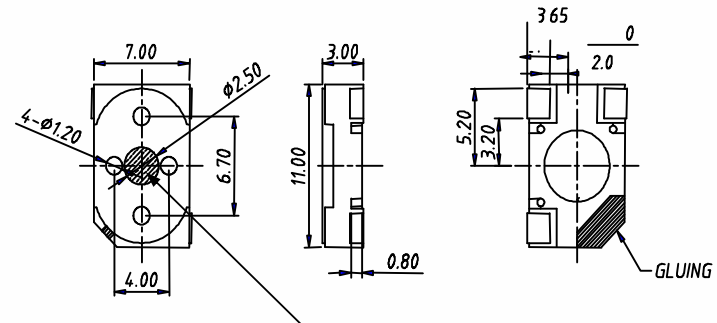
공개용



Model Name :PRQ-0711F Series



## Mechanical Dimension



Recommended Area for vacuum Nozzle pick-up location

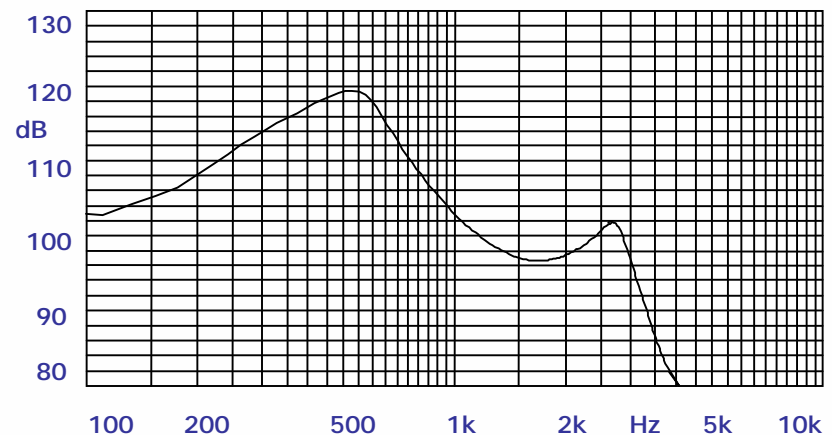
## Features

- Ultra small & high voice quality
- Tape & reel packing for RoHS IR reflow process
- Applicable to Mobile Phone

## Electrical Characteristics

Parameter	Specification	Unit
Impedance 1.5 KHz/ 1.0 Vrms	32	Ω
Sound Pressure Level 100mV/1KHz	103 ± 3	dB
Power Rating (Nom/Max)	10 / 20	mW
Frequency Range	0.3 ~ 3.4	KHz
Dimension (W X L X H)	7 X 11 X 3.0	mm

## Typical Frequency Response



공개용





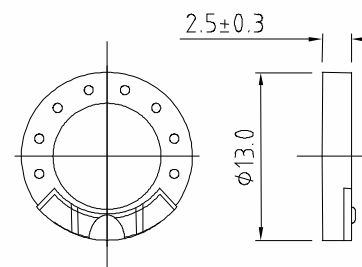
# Dynamic Receiver (PCB Terminal Type)



Model Name : PRC-1325P Series



## Mechanical Dimension



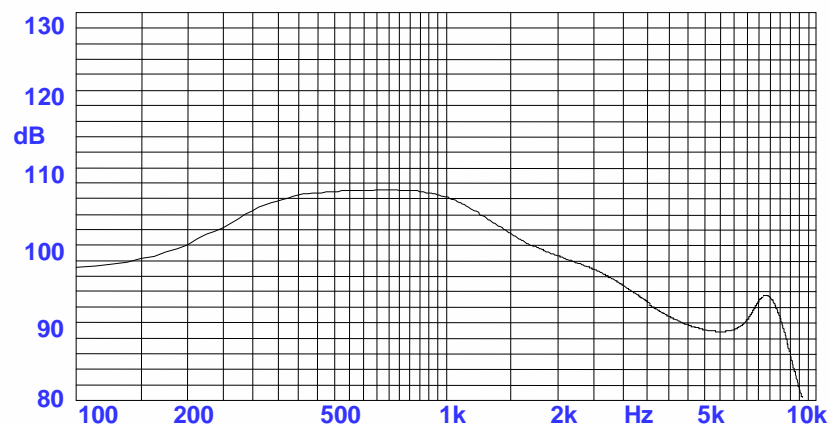
## Features

- Ultra thin & high sound pressure level
- Applicable to Mobile & Wireless Phone
- Custom design available

## Electrical Characteristics

Parameter	Specification	Unit
Impedance 1.0 KHz/ 0.5 Vrms	32	$\Omega$
Sound Pressure Level 1mw/1KHz	105 $\pm$ 3	dB
Power Rating (Nom/Max)	10 / 20	mW
Frequency Range	0.1 ~ 10	KHz
Dimension (D X H)	13 X 2.5	mm

## Typical Frequency Response



Prime Acoustics co., Ltd

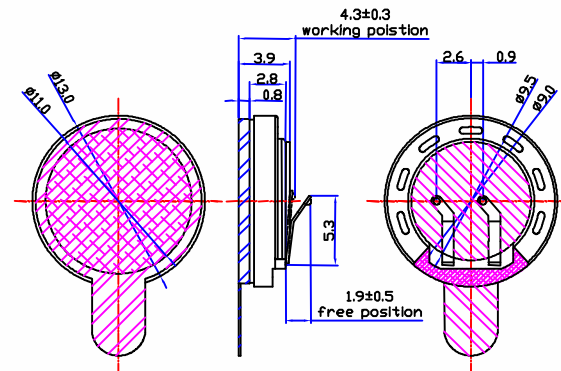
# Dynamic Receiver (Spring Contacts Type)



Model Name : PRC-1328S Series



## Mechanical Dimension



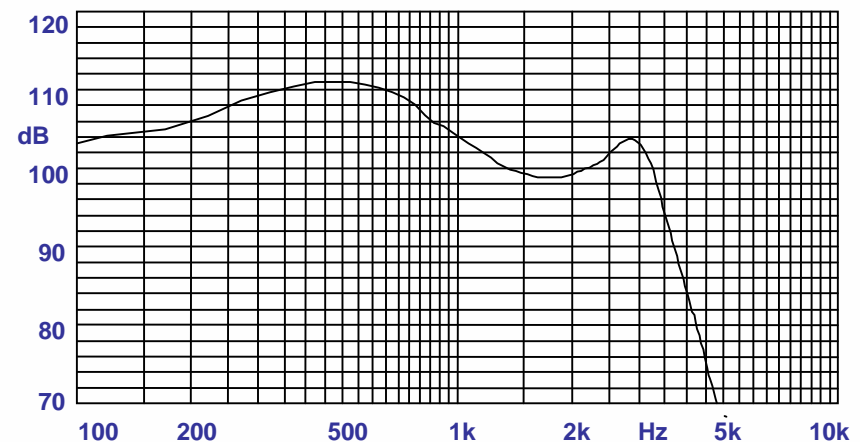
## Features

- Ultra small & high voice quality
- Applicable to Mobile & Wireless Phone
- Custom design available

## Electrical Characteristics

Parameter	Specification	Unit
Impedance 1.0 KHz/ 1.0 Vrms	32	$\Omega$
Sound Pressure Level 100mV/1KHz	104 $\pm$ 3	dB
Power Rating (Nom/Max)	30 / 50	mW
Frequency Range	0.3 ~ 3.4	KHz
Dimension (D X H)	$\Phi$ 13 X 2.8	mm

## Typical Frequency Response



Prime Acoustics co., Ltd

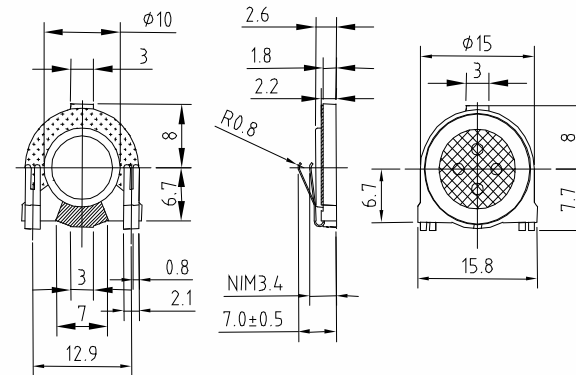
# Dynamic Receiver (Spring Contacts Type)



Model Name : PRR-1526S Series



## Mechanical Dimension



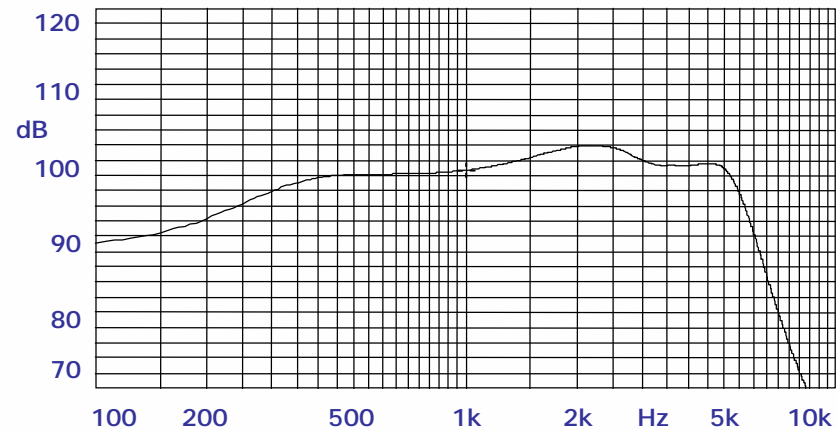
## Features

- Ultra small & high voice quality
- Applicable to Mobile & Wireless Phone
- Custom design available

## Electrical Characteristics

Parameter	Specification	Unit
Impedance 1 KHz/ 0.5 Vrms	32	$\Omega$
Sound Pressure Level 1mw/1KHz	100 $\pm$ 3	dB
Power Rating (Nom/Max)	11.2 / 50	mW
Frequency Range	0.3 ~ 6	KHz
Dimension (D X H)	15 X 2.6	mm

## Typical Frequency Response



Prime Acoustics co., Ltd

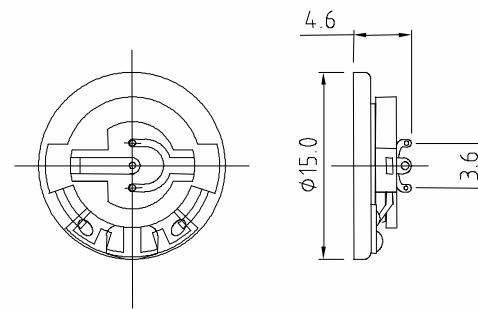
# Dynamic Receiver (Spring Contacts Type)



Model Name : PRC-1546S Series



## Mechanical Dimension



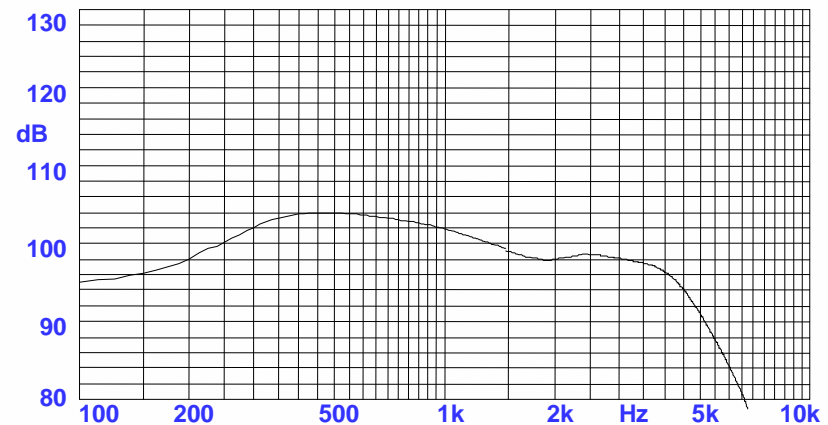
## Features

- Easy mounting available & high sound pressure level
- Applicable to Mobile & Wireless Phone
- Custom design available

## Electrical Characteristics

Parameter	Specification	Unit
Impedance 1 KHz/ 0.5 Vrms	32	$\Omega$
Sound Pressure Level 1mw/1KHz	100 $\pm$ 3	dB
Power Rating (Nom/Max)	10 / 50	mW
Frequency Range	0.3 ~ 3.4	KHz
Dimension (D X H)	15 X 4.6	mm

## Typical Frequency Response



Prime Acoustics co., Ltd

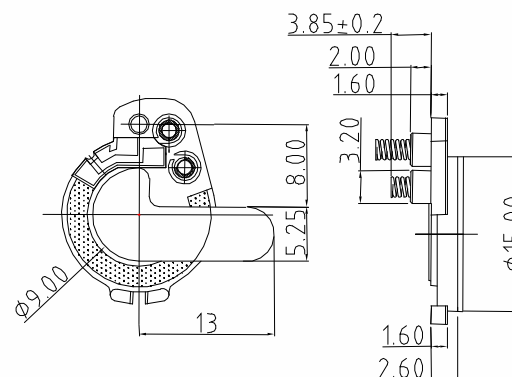
# Dynamic Receiver (Spring Contacts Type)



Model Name : PRC-1539S Series



## Mechanical Dimension



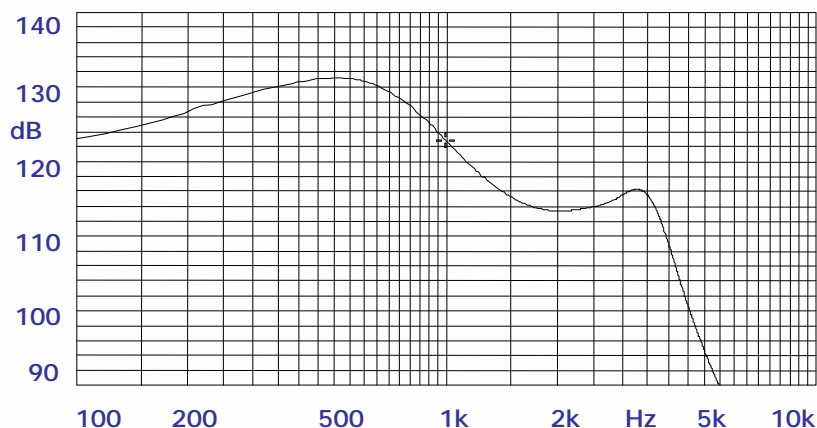
## Features

- Ultra small & high voice quality
- Applicable to Mobile Phone & Wireless Phone
- Custom design available

## Electrical Characteristics

Parameter	Specification	Unit
Impedance 1 KHz/ 0.5 Vrms	32	$\Omega$
Sound Pressure Level 10mw/1KHz	$107 \pm 3$	dB
Power Rating (Nom/Max)	10 / 20	mW
Frequency Range	0.1 ~ 3.4	KHz
Dimension (D X H)	15 X 3.9	mm

## Typical Frequency Response



Prime Acoustics co., Ltd



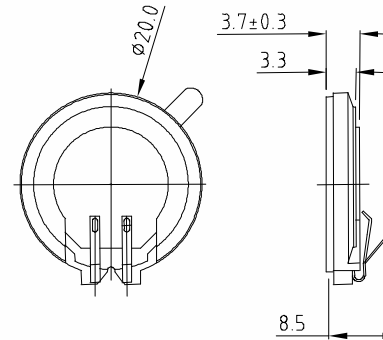
# Dynamic Receiver (Spring Contacts Type)



Model Name : PRC-2037S Series



## Mechanical Dimension



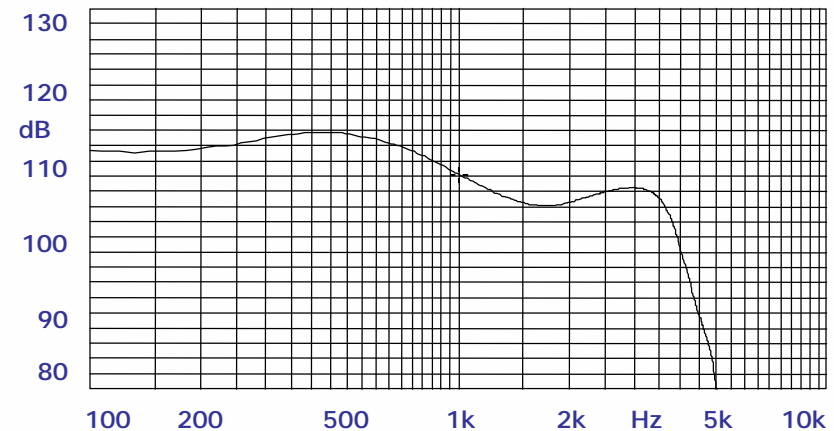
## Features

- Ultra small & high voice quality
- Applicable to Mobile & Wireless Phone
- Custom design available

## Electrical Characteristics

Parameter	Specification	Unit
Impedance 1 KHz/ 0.5 Vrms	32	$\Omega$
Sound Pressure Level 1mw/1KHz	107 ± 3	dB
Power Rating (Nom/Max)	100 / 150	mW
Frequency Range	0.3 ~ 3.4	KHz
Dimension (D X H)	20 X 3.7	mm

## Typical Frequency Response



Prime Acoustics co., Ltd

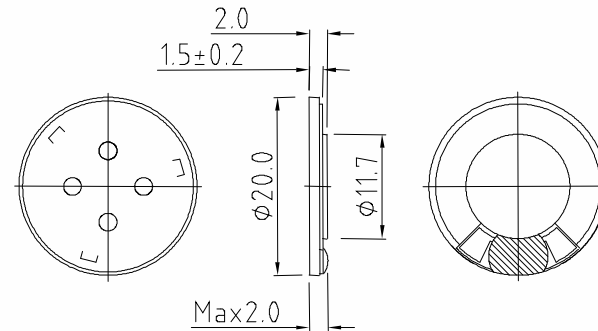
# Dynamic Receiver (PCB Terminal Type)



Model Name : PRC-2020P Series



## Mechanical Dimension



## Features

- Ultra small & high voice quality
- Applicable to Mobile & Wireless Phone
- Custom design available

## Electrical Characteristics

Parameter	Specification	Unit
Impedance 1 KHz/ 0.5 Vrms	32	$\Omega$
Sound Pressure Level 1mw/1KHz	104 $\pm$ 3	dB
Power Rating (Nom/Max)	10 / -	mW
Frequency Range	0.3 ~ 3.4	KHz
Dimension (D X H)	20 X 2.0	mm

## Typical Frequency Response

