

# DISCRIMINATOR

## S-JT-MG

LEADED TYPE

FM Detection



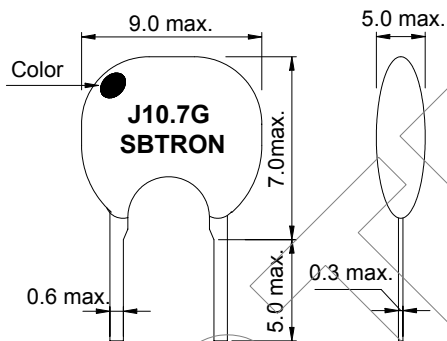
### APPLICATIONS

- ▶ FM detection
- ▶ Home appliance
- ▶ Communications

### TECHNICAL CHARACTERISTICS

Part no.	Demodulation Output fo (mV) max.	Distortion Factor at fo (%) max.	Demodulation 3dB band width (KHz) (min.)	Applicable IC.
S-JT10.7MG1	25	1.0	345	CX-2009, CX-20111
S-JT10.7MG3	650	1.0	± 150	TA7303P, TA7130 μPC1028H, LA1150
S-JT10.7MG16	60~ 90	0.9	300	TA8122AN
S-JT10.7MG18	60~ 90	0.9	300	TA8132N
S-JT10.7MG33	45	0.7	250	TA2007
S-JT10.7MG80	65	1.0	300	TA2104AFN
S-JT10.7MG82	90	0.8	320	TA2099N
S-JT10.7MG92	60	1.0	300	TA2132P
S-JT10.7MC1	35	1.0	242	CX-1010M, CX-20091

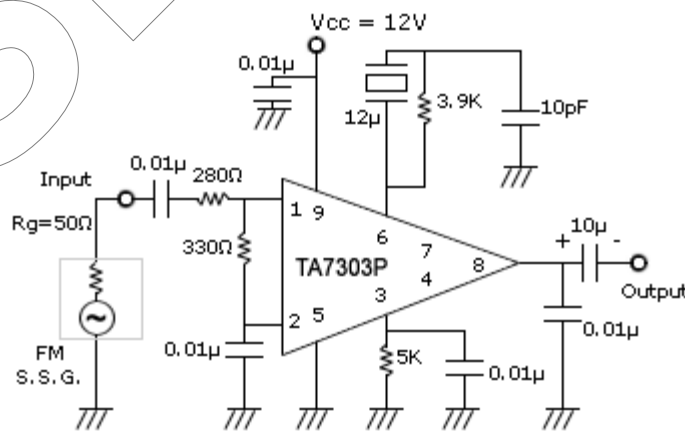
### DIMENSIONS



Color	Center frequency
Black	D : 10.640MHz ± 30KHz
Blue	B : 10.670MHz ± 30KHz
Red	A : 10.700MHz ± 30KHz
Orange	C : 10.730MHz ± 30KHz
White	E : 10.760MHz ± 30KHz

Specifications subjects to change without notice & If you need other specifications, Contact our factory.

### TEST CIRCUIT



< S-JT10.7MG 3 >