

DISCRIMINATOR

S-JTCV-MG/MC

SMD TYPE
FM Detection



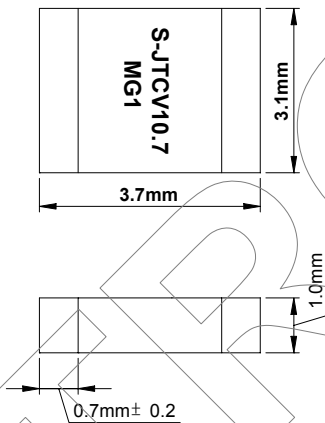
APPLICATIONS

- ▶ For FM
- ▶ Home appliance
- ▶ Communications

TECHNICAL CHARACTERISTICS

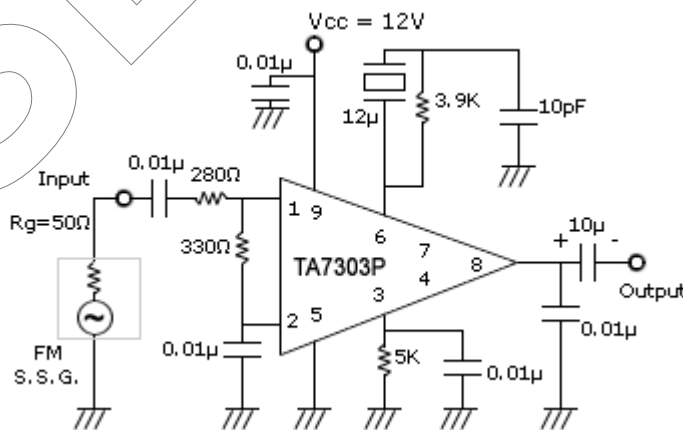
| Part no. | Demodulation Output fo (mV) max. | Distortion Factor at fo (%) max. | Demodulation 3dB band width (KHz) (min.) | Applicable IC. |
|----------------|----------------------------------|----------------------------------|--|-------------------------------------|
| S-JTCV10.7MG1 | 25 | 1.0 | 345 | CX-2009, CX-20111 |
| S-JTCV10.7MG3 | 650 | 1.0 | ± 150 | TA7303P, TA7130 μPC1028H, LA1150 |
| S-JTCV10.7MG16 | 60~ 90 | 0.9 | 300 | TA8122AN |
| S-JTCV10.7MG18 | 60~ 90 | 0.9 | 300 | TA8132N |
| S-JTCV10.7MC1 | 35 | 1.0 | 242 | CXA1019M, CX-20111 |
| S-JTCV10.7MG31 | 50 | 1.0 | 300 | TA2003AN |

DIMENSIONS



Specifications subjects to change without notice & If you need other specifications, Contact our factory.

TEST CIRCUIT



< S-JTCV10.7MG 3 >