

FILTER

S-LT

Miniature type

450 ~ 470KHz

PICTURE
AREA

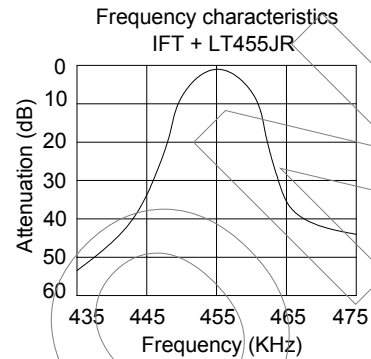
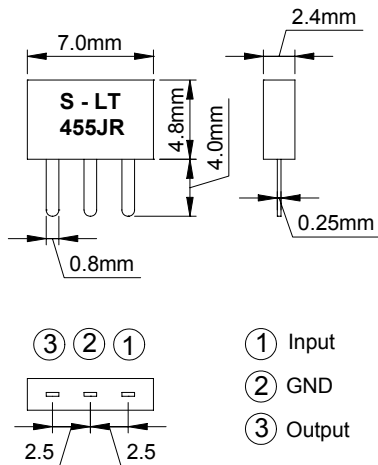
APPLICATIONS

- ▶ Miniature
- ▶ RF applications
- ▶ Communications

TECHNICAL CHARACTERISTICS

Part no.	3dB Band width (KHz)	Selectivity (dB)	Insertion loss (dB) max.	Composition
		±9 KHz off		
S-LT455JR	5.5 ± 1.5	≥17	≤6	2 elements

DIMENSIONS AND CHARACTERISTICS



Recommended IFT (7mm and 5 mm square)

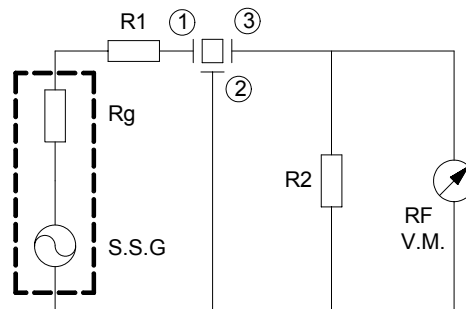
Item	Type	7 x 7mm			5 x 5mm		
		①~②	②~③	④~⑥	①~②	②~③	④~⑥
Winding specification							
	< Bottom view >						
Unloaded Q		90					
Tuning capacity		180 pF					

Center frequency is available in a range of 450~470KHz.

The nominal frequency tolerance is ±2KHz.

Specifications subjects to change without notice & If you need other specifications, Contact our factory.

TEST CIRCUIT



$$R_g + R_1 = R_2 = 3K\Omega$$