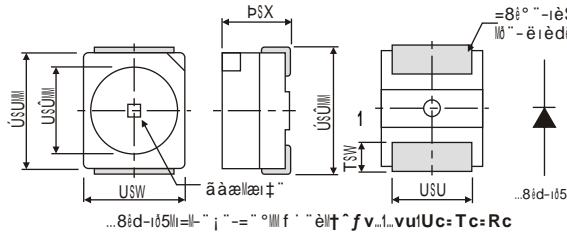
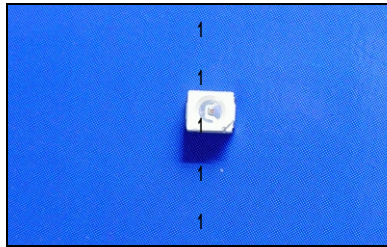


e, f1]VU†1

h z†y1cvw†vt†, ...1e(ƒfv1 11 D?F ~ ~9]:1 i1C?H ~ ~9 h:1 i1B?J ~ ~9Y:1

ZwNCA ~ R11 erNCF°C1

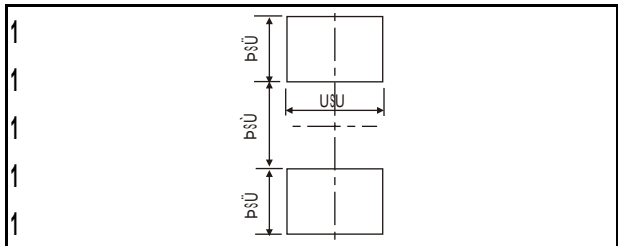
Uv%zv1_, 1	T, }, ...1		h r%v)v€x†y19€ ~ :		gW1	S...xy†€v††19 ~ tu:1		gzvŠ1
	V ~ ††v...1]v€†1	λf1	λu1	e(ƒfztr†1 9g:1	ZgB1	ZgC1	R€x†v1 C0B†C1



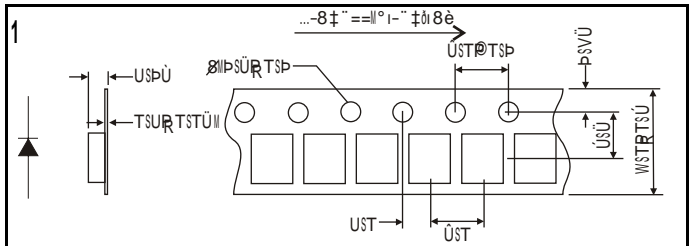
Ye]SC>ED1	ƒv}}, Š1x...vv€1	Šr†v...1†}vr...1	FHA1	FGH1	C?BF1	B1?A1	B1?A1	BCA1
Ye]SC>EDTX1	ƒv}}, Š1x...vv€1		FHA1	FGH1	C?BF1	CF?A1	CF?A1	
Ye]SC>EDSX1	ƒv}}, Š1x...vv€1		FHA1	FGH1	C?BF1	DF?A1	DF?A1	
Ye]SC>EDRXT1	f^...v1x...vv€1		FCD1	FCF1	D?FA1	CAA?A1	CAA?A1	
Ye]SC>EDS1	s)^z†y1x...vv€1		FAC1	FAF1	D?FA1	BCA?A1	BCA?A1	
Ye]SC>EE1	ƒv}}, Š1		FIJ1	FIF1	C?BA1	BD?A1	BD?A1	
Ye]SC>EERj1	†^fv...1(ƒv)}, Š1		FJC1	FJA1	C?AA1	GA?A1	GA?A1	
Ye]SC>EEWj1	†^fv...1(ƒv)}, Š1		FJC1	FJA1	C?AA1	JA?A1	JA?A1	
Ye]SC>EEdj1	†^fv...1(ƒv)}, Š1		FJC1	FJA1	C?CF1	BFA?A1	BFA?A1	
Ye]SC>EF1	yzvww1...vu1		GCF1	GBI1	C?AF1	BA?A1	BA?A1	
Ye]SC>EFR`1	†^fv...1, ...r€xv1		GCA1	GBF1	C?AA1	GA?A1	GA?A1	
Ye]SC>EFW`1	†^fv...1, ...r€xv1		GCA1	GBF1	C?AA1	JA?A1	JA?A1	
Ye]SC>EFR`c1	†^fv...1w...v†y1...vu1		GDF1	GCG1	C?AA1	GA?A1	GA?A1	
Ye]SC>EFd`c1	†^fv...1w...v†y1...vu1		GDI1	GCJ1	C?CF1	BFA?A1	BFA?A1	
Ye]SC>EGUc1	†^fv...1...vu1		GGA1	GED1	B?IA1	CF?A1	CF?A1	
Ye]SC>EGTc1	†^fv...1...vu1		GGA1	GED1	B?IA1	EA?A1	EA?A1	
Ye]SC>EGRcR1	†^fv...1...vu1		GGA1	GEF1	B?IG1	GF?A1	GF?A1	
Ye]SC>EH1	r ~ sv...1		GBA1	GAG1	C?AF1	BC?A1	BC?A1	
Ye]SC>EHWR1	†^fv...1r ~ sv...1		GAH1	GAF1	C?AA1	JA?A1	JA?A1	
Ye]SC>EIRST1	†^fv...1s)^v1		EGI1	EHA1	D?FA1	EI?A1	EI?A1	
Ye]SC>EJR h T1	†^fv...1Šy†v1	ƒv}}, Š1	9 < KA?CJ=1(ƒKA?C1:1	D?FA1	BFA?A1	BFA?A1		

ZgBK]rst†fyv...v1]VU>BBAA1 1 ZgCKV i V]ec`_1CAAB?1

Recommended Soldering Pattern:



Tape Specifications: 1111119D=AAAf†††cvv†1:

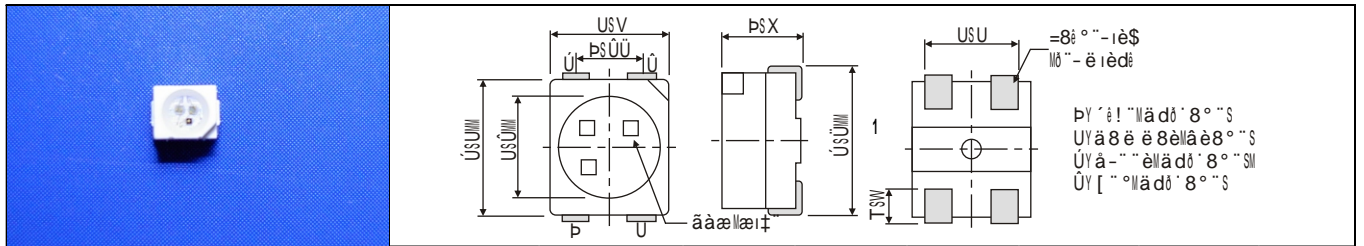


e, f1]VU†1

h z†y1cvw)vt†, ...1e(Efv1 11D?F ~ ~9]:1i1C?H ~ ~9h :1i1B?J ~ ~9Y:1

ZWNCA ~ R11 erNCF°C1

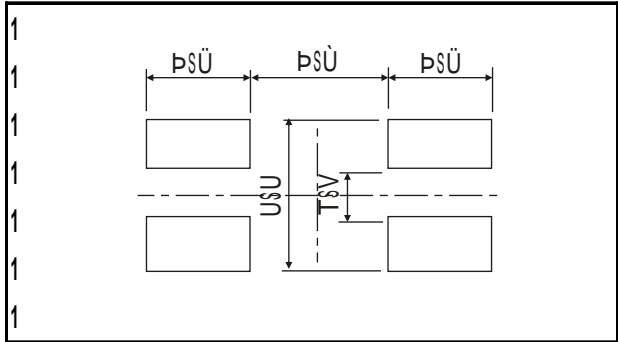
Uv%zvt1_, 1	T, }, ...1		h r%v)v€x†y19€ ~ :		gW1	S...zxy†€v†††19 ~ tu:1		gzvŠ1
	V ~ ††v...1]v€†1	λf1	λu1	e(Efzt r}† 9g:1	zGB1	zGC1	R€x}v† C0B@C1



Ye]SC>R` c1RXT1RST1	†^fv...1w...v†y1...vu1	Š r†v...1 t}vr...1	GDF1	GCG1	C?AA1	GA?A1	GA?A1	BCA1
	†^fv...1x...vv€1		FCD1	FCF1	D?FA1	BFA?A1	BFA?A1	
	†^fv...1s}^v1		EG11	EHA1	D?FA1	EA?A1	EA?A1	

zgbk]rst†fyv...v1]VU>BBAA11zgcKV iV]ec`_1CAAB?1

Recommended Soldering Pattern:



Tape Specifications: 1111119D-AAAft††cvv}†1:

