

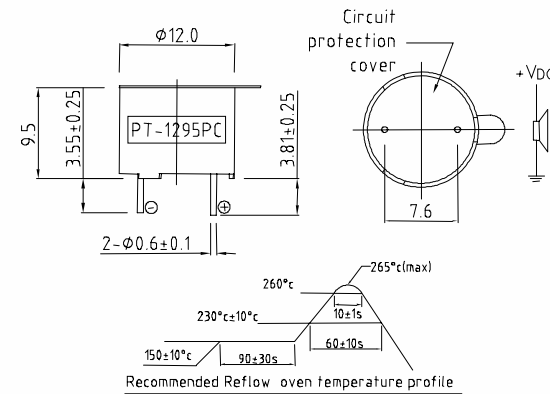
Magnetic Buzzer (Built-inType)

공개용

Model Name : PT-1295PC



Mechanical Dimension



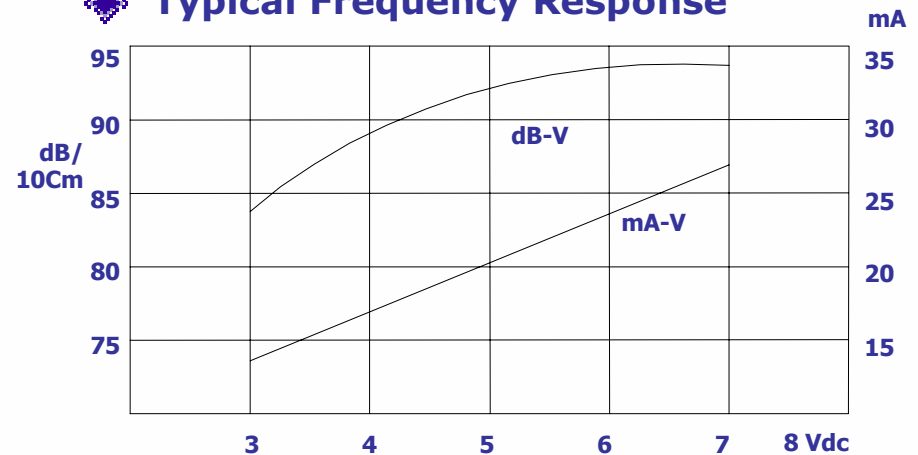
Features

- Small & high sound pressure level
- Tape & reel packaging for reflow process available
- Custom design available

Electrical Characteristics

Parameter	Specification	Unit
Operating Voltage	4 ~ 7	
Sound Pressure Level	Min 95	dB
Rated Current	MAX 35	m A
Resonant Frequency	2300 \pm 300	Hz
Dimension (D X H)	12 X 9.5	mm

Typical Frequency Response



공개용



Magnetic Buzzer (Non Circuit)

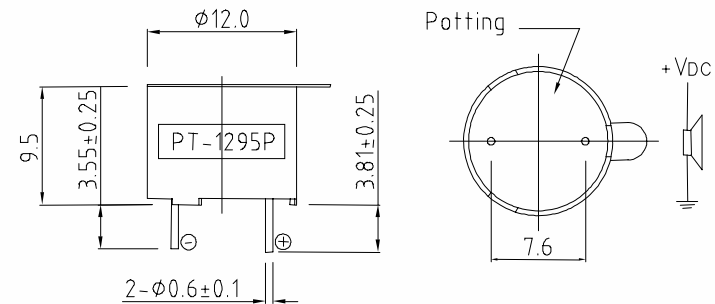
공개용



Model Name : PT-1295P



Mechanical Dimension



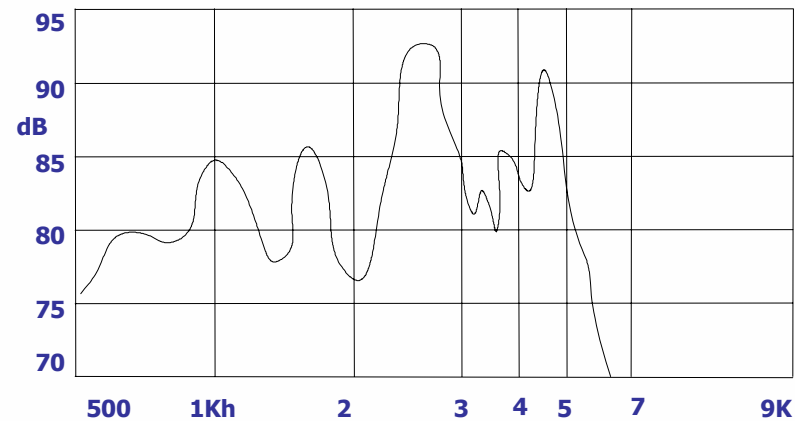
Features

- Small & High Sound Pressure Level
- Low cost available based on high volume demands
- Multi usable for beeping sound

Electrical Characteristics

Parameter	Specification	Unit
Operating Voltage	4 ~ 8	
Sound Pressure Level	Min 85	dB
Rated Current	MAX 40	m A
Resonant Frequency	2400 \pm 300	Hz
Dimension (D X H)	12 X 9.5	mm

Typical Frequency Response



공개용



Magnetic Buzzer (Built-in)

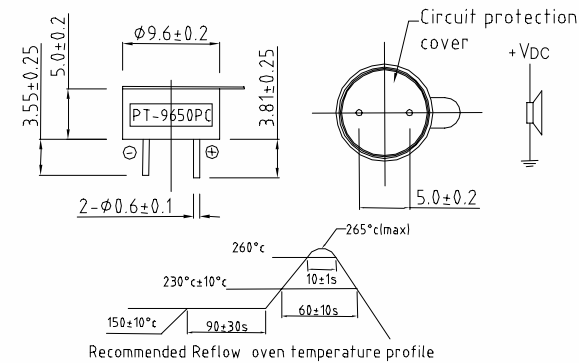
공개용



Model Name : PT-9650PC



Mechanical Dimension



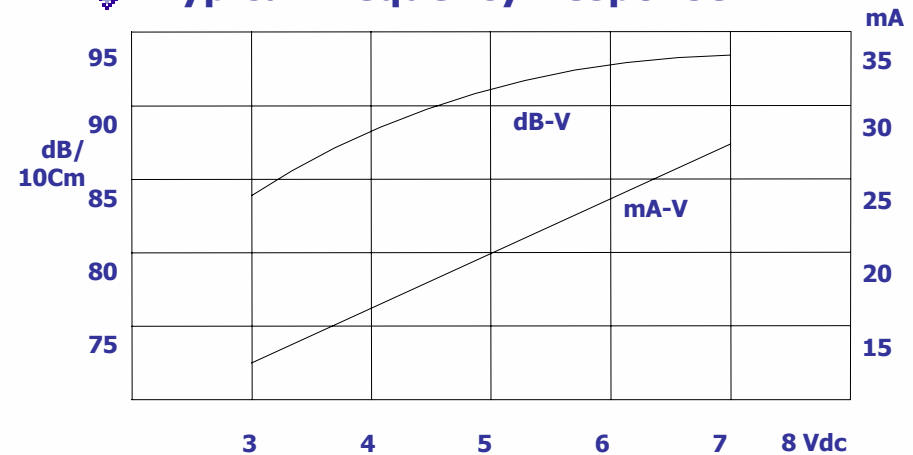
Features

- Ultra thin, small & high sound pressure level
- Tape & reel packaging for reflow process available
- Custom design available

Electrical Characteristics

Parameter	Specification	Unit
Operating Voltage	3 ~ 7	VDC
Sound Pressure Level	Min 95	dB
Rated Current	MAX 30	m A
Resonant Frequency	2300 ± 300	Hz
Dimension (D X H)	9.6 X 5.0	mm

Typical Frequency Response



공개용