

# RESONATOR

## ZTA

LEADED TYPE



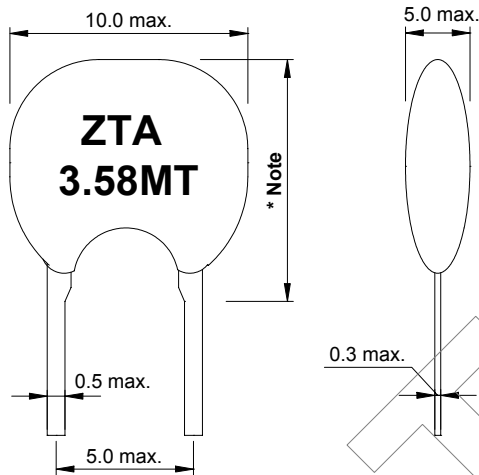
### APPLICATIONS

- ▶ Keyboard
- ▶ Micro processor
- ▶ Home appliance
- ▶ Reliability

### TECHNICAL CHARACTERISTICS

Part no.	Frequency range ( MHz )	Frequency accuracy (@ +25 °C)	Stability in temperature (-20 °C ~ 80 °C)	Operating temperature	Aging (10 Years)
ZTA / MG	1.800 ~ 6.000	±0.5 %	±0.3 %	-20 °C ~ +80 °C	±0.3 %
ZTA / MT	6.100 ~ 13.000	±0.5 %	±0.3 %	-20 °C ~ +80 °C	±0.3 %
ZTA / MX -A	13.100 ~ 23.999	±0.5 %	±0.3 %	-20 °C ~ +80 °C	±0.3 %
ZTA / MX -B	24.000 ~ 31.999	±0.5 %	±0.3 %	-20 °C ~ +80 °C	±0.3 %
ZTA / MX -C	32.000 ~ 60.000	±0.5 %	±0.3 %	-20 °C ~ +80 °C	±0.3 %

### DIMENSIONS

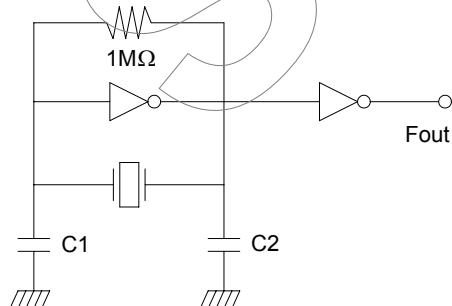


#### \* Note

- MG : 10.0m/m max.
- MT : 10.0m/m max.
- MX -A : 10.0m/m max.
- MX -B : 7.5m/m max.
- MX -C : 6.5m/m max.

Specifications subjects to change without notice & If you need other specifications, Contact our factory.

### APPLICATION CIRCUIT



- IC : 4069UBP (in case MG type)
- IC : 4069UBP (in case MT type)
- IC : 74HCU04 (in case MX type)
- X : Ceramic resonator
- C1 : External capacitor
- C2 : External capacitor
- V<sub>DD</sub> : +5Volt

#### \* Capacitor value

- MG, MT : 30pF
- MX : 30pF (13.0MHz ~ 20.0MHz)
- : 15pF (20.0MHz ~ 26.0MHz)
- : 5pF (26.0MHz ~ 50.0MHz)