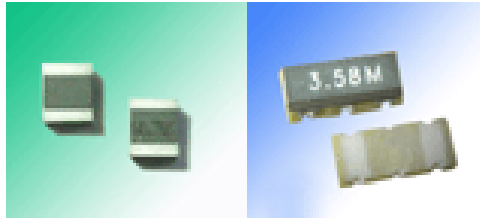


# RESONATOR ZTA

SMD TYPE



## APPLICATIONS

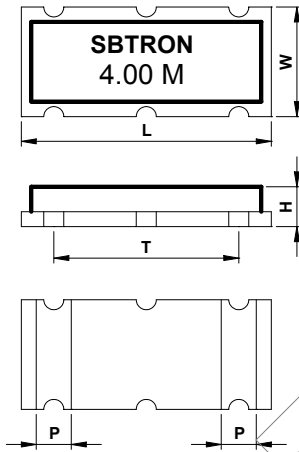
- ▶ Keyboard
- ▶ Micro processor
- ▶ Home appliance
- ▶ Remote controller

### TECHNICAL CHARACTERISTICS

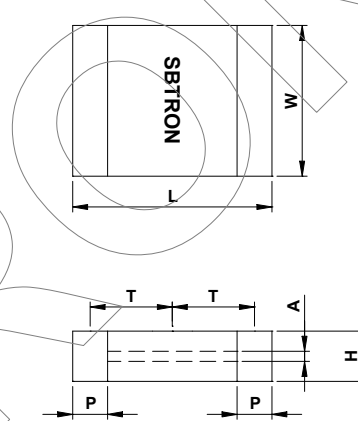
Part no.	Frequency range (MHz)	Frequency accuracy (@ +25 °C)	Stability in temperature (-20 °C ~ 80 °C)	Operating temperature	Aging (10 Years)
ZTACC / MG	2.000 ~ 8.000	±0.5 %	±0.3 %	-20 °C ~ +80 °C	±0.3 %
ZTACS / MT	7.000 ~ 13.000	±0.5 %	±0.4 %	-20 °C ~ +80 °C	±0.3 %
ZTACS / MX	13.000 ~ 50.000	±0.5 %	±0.3 %	-20 °C ~ +80 °C	±0.3 %
ZTACV / MT	7.000 ~ 13.000	±0.5 %	±0.4 %	-20 °C ~ +80 °C	±0.3 %
ZTACV / MX	16.000 ~ 60.000	±0.5 %	±0.3 %	-20 °C ~ +80 °C	±0.3 %
ZTACW / MX	20.000 ~ 48.000	±0.5 %	±0.3 %	-20 °C ~ +80 °C	±0.3 %
ZTACR	3.580 ~ 6.000	±0.5 %	±0.3 %	-20 °C ~ +80 °C	±0.3 %

### DIMENSIONS

ZTACC and  
ZTACR only



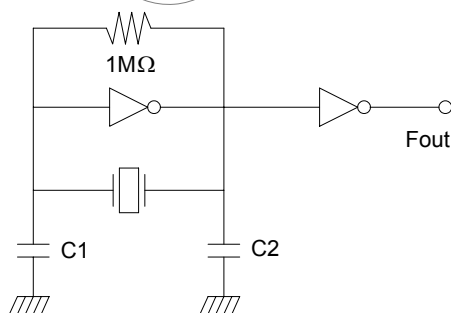
ZTACS and  
ZTACV and  
ZTACW only



Code Part no.	Dimensions (mm)				
	L	W	H	P	T
ZTACC / MG	7.4 ±0.2	3.4 ±0.2	1.8 ±0.2	1.2 ±0.2	5.0 ±0.3
ZTACS / MT	4.7 ±0.2	4.1 ±0.2	(1.2+A) ±0.2	0.8 ±0.2	3.9 ±0.3
ZTACS / MX	4.7 ±0.2	4.1 ±0.2	(1.2+A) ±0.2	0.8 ±0.2	3.9 ±0.3
ZTACV / MT	3.7 ±0.2	3.1 ±0.2	(1.0+A) ±0.2	0.7 ±0.2	3.0 ±0.3
ZTACV / MX	3.7 ±0.2	3.1 ±0.2	(1.0+A) ±0.2	0.7 ±0.2	3.0 ±0.3
ZTACW / MX	2.5 ±0.2	2.0 ±0.2	(1.5+A) ±0.2	-	-
ZTACR	4.5 ±0.2	2.0 ±0.2	(1.8+A) ±0.2	-	-

Specifications subjects to change without notice & If you need other specifications, Contact our factory.

### APPLICATION CIRCUIT



IC : 4069UBP (in case MG type)  
 IC : 4069UBP (in case MT type)  
 IC : 74HCU04 (in case MX type)  
 X : Ceramic resonator  
 C1 : External capacitor  
 C2 : External capacitor  
 V<sub>DD</sub> : +5Volt

#### \* Capacitor value

MG, MT : 30pF  
 MX : 30pF (13.0MHz ~ 20.0MHz)  
           : 15pF (20.0MHz ~ 26.0MHz)  
           : 5pF (26.0MHz ~ 50.0MHz)