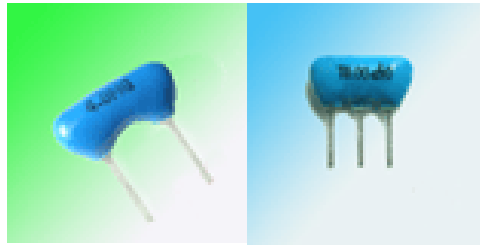


RESONATOR

ZTA-MGL

ZTT-MGL

LEADED & SMALL TYPE



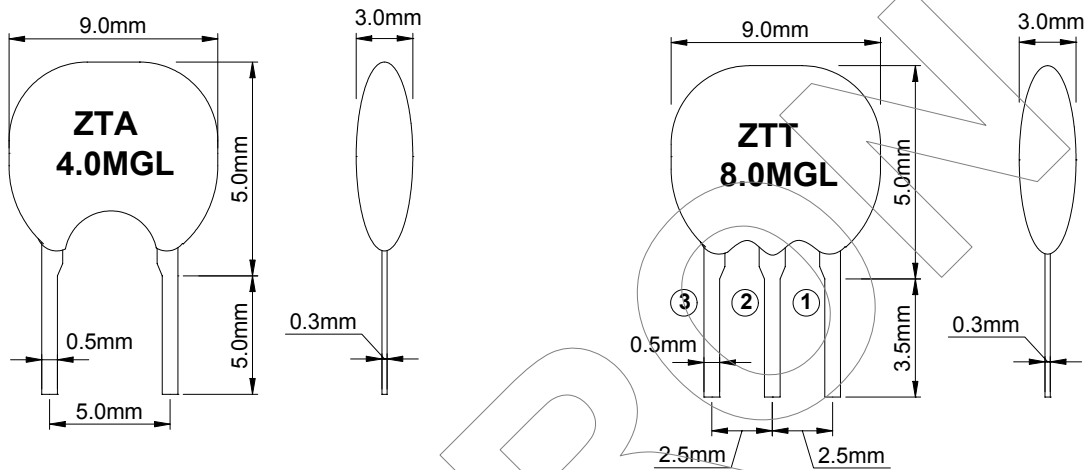
APPLICATIONS

- ▶ Game player
- ▶ Micro processor
- ▶ Home appliance

TECHNICAL CHARACTERISTICS

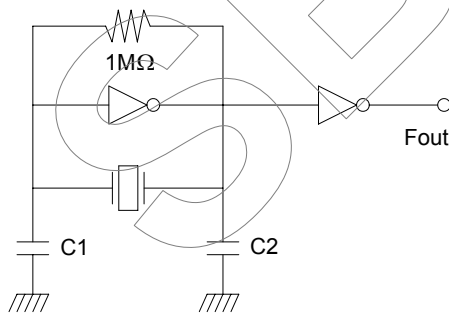
Part no.	Frequency range (MHz)	Frequency accuracy (@ +25 °C)	Stability in temperature (-20 °C ~ 80 °C)	Operating temperature	Aging (10 Years)
ZTA-MGL	3.000 ~ 8.000	±0.5 %	±0.3 %	-20 °C ~ +80 °C	±0.3 %
ZTA-MTL	3.000 ~ 8.000	±0.5 %	±0.3 %	-20 °C ~ +80 °C	±0.3 %

DIMENSIONS

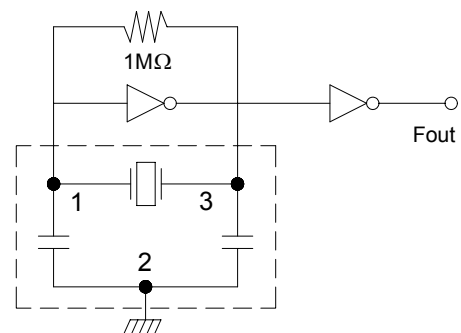


Specifications subjects to change without notice & If you need other specifications, Contact our factory.

APPLICATION CIRCUIT



IC : 4069UBP
 X : S-ZTA-MGL
 C1 : External capacitor (30pF)
 C2 : External capacitor (30pF)
 V_{DD} : +5Volt



Built-in capacitor

① : Input
 ② : Ground
 ③ : Output