

RESONATOR

ZTB

LEADED TYPE

190 ~ 1250KHz



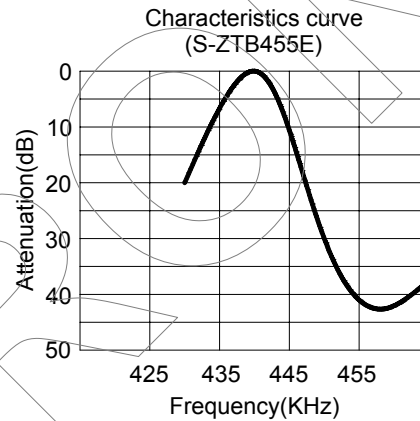
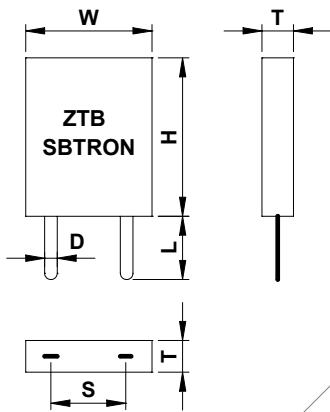
APPLICATIONS

- ▶ Keyboard
- ▶ Micro processor
- ▶ Home appliance
- ▶ Remote controller

TECHNICAL CHARACTERISTICS

Part no.	Frequency accuracy (@ +25 °C)	Stability in temperature	Operating temperature	Resonant impedance	Aging (10 Years)	Load capacitance	
						C1 (pF)	C2 (pF)
ZTB 190~249D	± 1KHz	±0.3 %	-20 °C ~ +80 °C	≦ 20Ω	±0.3 %	330	470
ZTB 250~374D	± 1KHz	±0.3 %	-20 °C ~ +80 °C	≦ 20Ω	±0.3 %	220	470
ZTB 375~429P	± 2KHz	±0.3 %	-20 °C ~ +80 °C	≦ 20Ω	±0.3 %	120	470
ZTB 430~509E	± 2KHz	±0.3 %	-20 °C ~ +80 °C	≦ 20Ω	±0.3 %	100	100
ZTB 510~699P	± 2KHz	±0.3 %	-20 °C ~ +80 °C	≦ 30Ω	±0.3 %	100	100
ZTB 700~999J	± 0.5%	±0.3 %	-20 °C ~ +80 °C	≦ 70Ω	±0.3 %	100	100
ZTB 1000~1250J	± 0.5%	±0.3 %	-20 °C ~ +80 °C	≦ 100Ω	±0.3 %	100	100

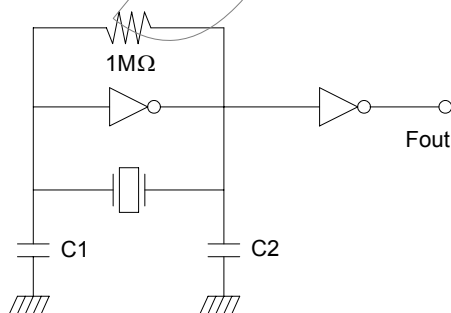
DIMENSIONS AND CHARACTERISTICS CURVE



Code Part no.	Dimensions (mm)					
	W	T	H	S	L	D
190 ~ 249	13.5	3.8	14.7	10.0	8.0	1.0
250 ~ 374	11.0	3.8	12.2	7.7	7.0	1.0
375 ~ 400	7.9	3.6	9.3	5.0	7.7	1.0
401 ~ 699	7.0	3.5	9.0	5.0	4.0(6.0)	1.0
700 ~ 1250	5.2	2.8	6.8	2.5	3.5(6.0)	0.8
1000J	5.1	2.3	6.3	2.5	4.0	0.8

Specifications subjects to change without notice & If you need other specifications, Contact our factory.

APPLICATION CIRCUIT



IC : 74HCU04 or 4069UBP
 X : Ceramic resonator
 C1 : External capacitor
 C2 : External capacitor
 V_{DD} : +5Volt