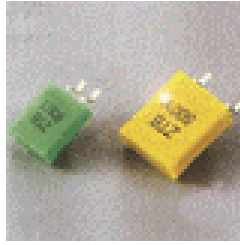


RESONATOR ZTBY

SMD TYPE
375 ~ 1250KHz



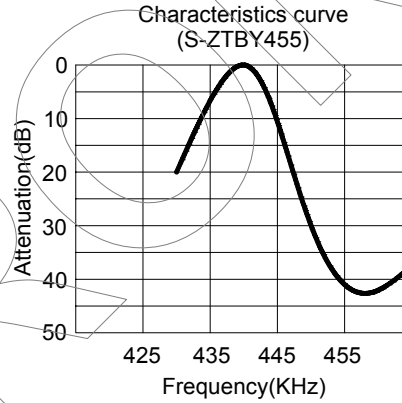
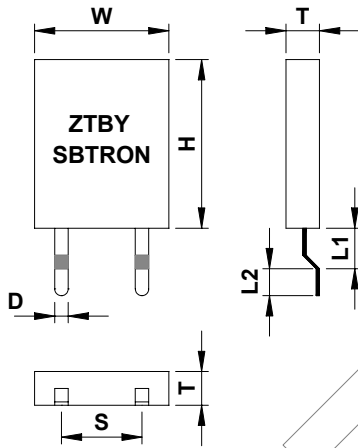
APPLICATIONS

- ▶ Keyboard
- ▶ Micro processor
- ▶ Home appliance
- ▶ Remote controller

TECHNICAL CHARACTERISTICS

Part no.	Frequency accuracy (@ +25 °C)	Stability in temperature	Operating temperature	Resonant impedance	Aging (10 Years)	Load capacitance	
						C1 (pF)	C2 (pF)
ZTBY 375~429	±0.5%	±0.3 %	-20 °C ~ +80 °C	≤ 20Ω	±0.3 %	120	470
ZTBY 430~509	±0.5%	±0.3 %	-20 °C ~ +80 °C	≤ 20Ω	±0.3 %	100	100
ZTBY 510~699	±0.5%	±0.3 %	-20 °C ~ +80 °C	≤ 30Ω	±0.3 %	100	100
ZTBY 700~900	±0.5%	±0.3 %	-20 °C ~ +80 °C	≤ 50Ω	±0.3 %	100	100
ZTBY 901~1000	±0.5%	±0.3 %	-20 °C ~ +80 °C	≤ 70Ω	±0.3 %	100	100
ZTBY 1001~1250	±0.5%	±0.3 %	-20 °C ~ +80 °C	≤ 100Ω	±0.3 %	100	100

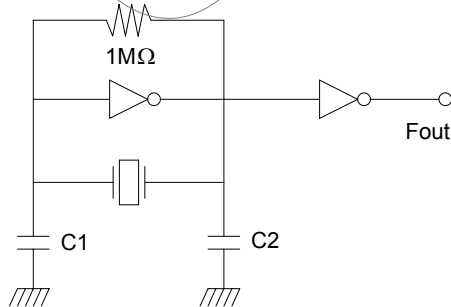
DIMENSIONS AND CHARACTERISTICS CURVE



Code Part no.	Dimensions (mm)						
	W	T	H	S	L1	L2	D
ZTBY 375 ~ 400	7.9	3.6	9.3	5.0	1.2	1.1	1.0
ZTBY 401 ~ 699	7.0	3.5	9.0	5.0	1.2	1.1	1.0
ZTBY 700 ~ 1250	5.2	2.8	6.8	2.5	1.2	1.1	0.8

Specifications subjects to change without notice & If you need other specifications, Contact our factory.

APPLICATION CIRCUIT



IC : 74HCU04 or 4069UBP
 X : Ceramic resonator
 C1 : External capacitor
 C2 : External capacitor
 V_{DD} : +5Volt