

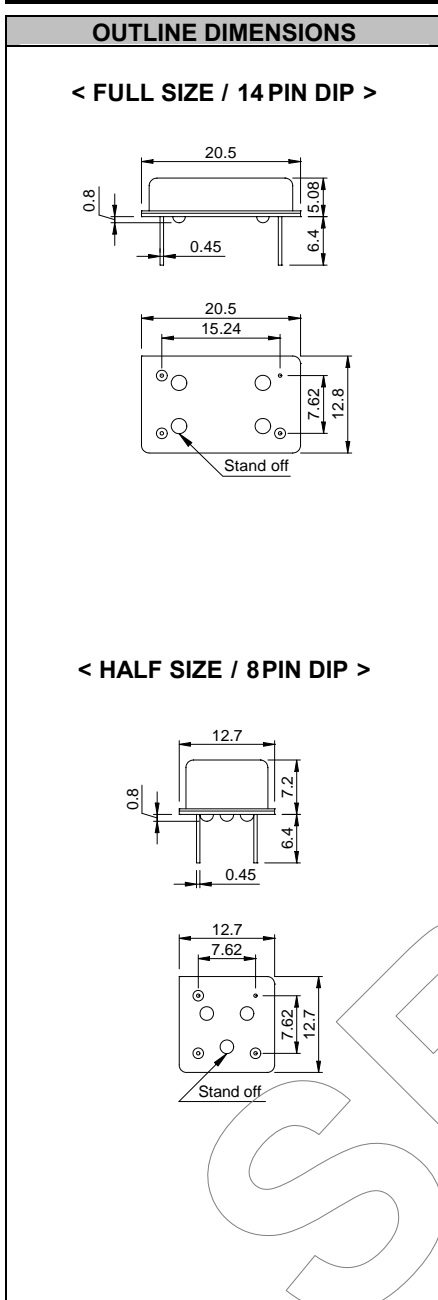
# VCXO SBVX - 12

## APPLICATIONS

### WIDE PULLING VCXO DIP PACKAGE

PICTURE  
AREA

- ▶ Communication system
- ▶ PLL circuit
- ▶ Specialized circuit
- ▶ High reliability



ELECTRICAL SPECIFICATIONS		
Frequency range	1.000MHz to 50.000MHz	
Frequency stability	±25ppm	±50ppm
	±100ppm	
Inclusive of operating temperature		
Operating temperature range	0 °C ~ 70 °C	
Storage temperature range	-50 °C ~ 105 °C	
Input voltage	+3.3Vdc ±0.3V	+5.0Vdc ±0.5V
Input current	25mA max.	35mA max.
"0" / "1" level	+0.4V max. / +2.4V min.	+0.5V max. / +4.5V min.
Pulling range	≥ ±400ppm	≥ ±600ppm
	(at +1.65Vdc ±1.35V)	(at +2.5Vdc ±2V)
Linearity	20% max.	
Duty ratio	60/40% or 40/60% (typical)	
Rise & Fall time	5nS max. at +3.3Vdc (+0.4Vdc to +2.4Vdc)	
Fan out	15pF	
Aging (at 25 °C)	±5ppm / year max.	

ENVIRONMENTAL & MECHANICAL SPECIFICATIONS	
Shock	MIL-STD-883C, Method 2002, Condition B
Vibration	MIL-STD-883C, Method 2007, Condition A
Solderability	MIL-STD-883C, Method 2003
Seal integrity	MIL-STD-883C, Method 1014, Condition C & A2
Marking	MIL-STD-202F, Method 215

