

VCXO SBVX - 14

LVDS VCXO
DIP PACKAGE

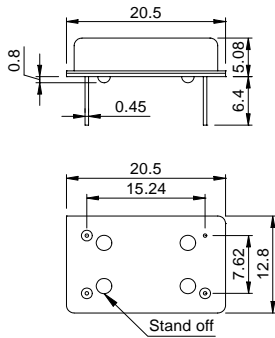
APPLICATIONS

- ▶ Differential signaling
- ▶ SONET
- ▶ Repeater
- ▶ OC series / STM1

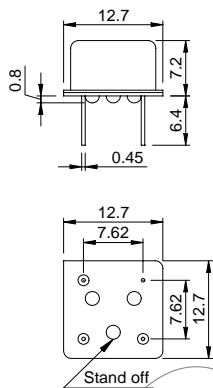
PICTURE
AREA

OUTLINE DIMENSIONS

< FULL SIZE / 14 PIN DIP >



< HALF SIZE / 8 PIN DIP >



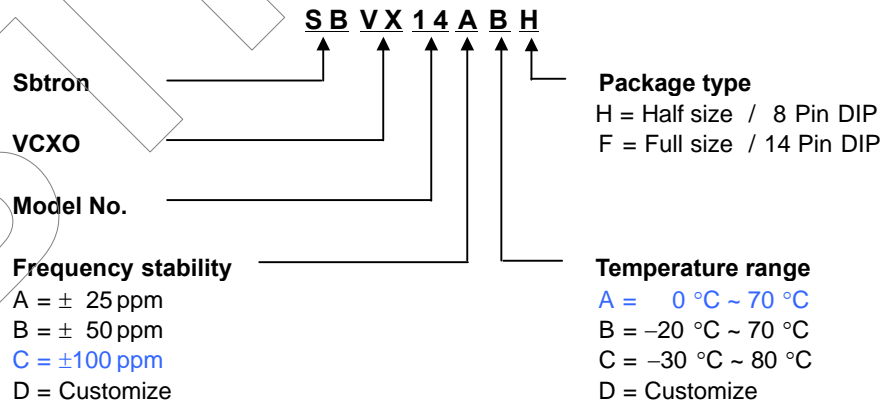
ELECTRICAL SPECIFICATIONS

Frequency range	700KHz to 800.000MHz		
Frequency stability	±25ppm	±50ppm	±100ppm
	Inclusive of operating temperature		
Operating temperature range	0 °C ~ 70 °C		
Storage temperature range	-50 °C ~ 105 °C		
Input voltage	+3.3Vdc ±0.3V		
Input current	100mA max.		
"0" level / "1" level	0.90V _{DC} max. / 1.60V _{DC} min.		
Pulling range	±170ppm min. (+1.65V ±1.65V)		
Duty ratio	55/45% or 45/55% (at 1.25V _{DC})		
Rise & Fall time	1nS max. (at RL = 100Ω, CL = 10pF)		
Period jitter	9pS max. (In case of 155.520MHz)		
Phase noise relative to carrier (In case of 155.520MHz)	@ 10Hz : -60dBc/Hz @ 10KHz : -125dBc/Hz @ 100Hz : -90dBc/Hz @ 100KHz : -123dBc/Hz @ 1KHz : -112dBc/Hz ⊗ Phase noise measured at Vcontrol = 0V.		
Load drive capability	50Ω		
Aging (at 25 °C)	±5ppm / year max.		

ENVIRONMENTAL & MECHANICAL SPECIFICATIONS

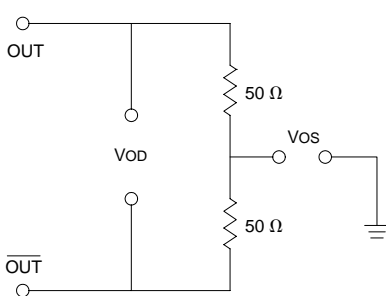
Shock	MIL-STD-883C, Method 2002, Condition B
Vibration	MIL-STD-883C, Method 2007, Condition A
Solderability	MIL-STD-883C, Method 2003
Seal integrity	MIL-STD-883C, Method 1014, Condition C & A2
Marking	MIL-STD-202F, Method 215

PART NUMBERING GUIDE

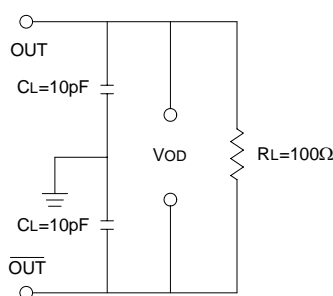


Standard specifications for product indicated in BLUE character
 Specifications subjects to change without notice & If you need other specifications, Contact our factory.

LVDS LEVELS TEST CIRCUIT



LVDS SWITCHING TEST CIRCUIT



LVDS TRANSITION TIME

