

CRYSTAL SBX - 11

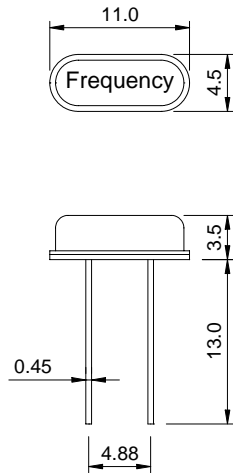
HC-49/S CRYSTAL
LEAD TYPE

APPLICATIONS

- ▶ Automatic mounting available
- ▶ Main board
- ▶ Microprocessor
- ▶ High reliability and precision

PICTURE
AREA

OUTLINE DIMENSIONS



ELECTRICAL SPECIFICATIONS

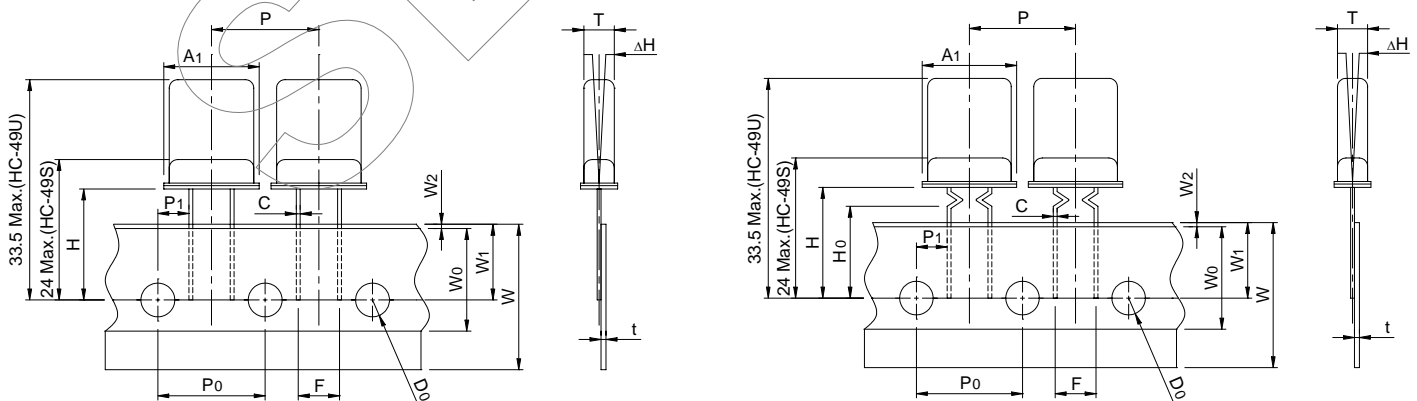
Frequency range	3.579545MHz to 80.000MHz			
Frequency tolerance	±10ppm	±20ppm	±30ppm	±50ppm
Frequency stability	±20ppm	±30ppm	±50ppm	±50ppm
Operating temperature range	-10 °C ~ 70 °C		-30 °C ~ 80 °C	
Storage temperature range	-50 °C ~ 125 °C			
Shunt capacitance (C0)	7pF max.			
Load capacitance (CL)	9.5pF ~ 33pF or Series			
Insulation resistance	500MΩ min. (at 100VDC)			
Drive level	100μW max.			
Aging (at 25 °C)	±5ppm / year max.			
Frequency range	ESR (Ω) max.		Oscillation mode	
3.5795MHz ~ 4.9999MHz	200		Fundamental	
5.0000MHz ~ 5.9999MHz	150		Fundamental	
6.0000MHz ~ 7.9999MHz	120		Fundamental	
8.0000MHz ~ 8.9999MHz	90		Fundamental	
9.0000MHz ~ 9.9999MHz	80		Fundamental	
10.0000MHz ~ 13.9999MHz	70		Fundamental	
14.0000MHz ~ 15.9999MHz	60		Fundamental	
16.0000MHz ~ 25.0000MHz	40		Fundamental	
25.0000MHz ~ 29.9999MHz	40		3'rd overtone	
30.0000MHz ~ 66.6660MHz	100		3'rd overtone	

ORDERING GUIDE

SBX - 11 - Frequency :
 Load capacitance : pF
 Crystal impedance : Ω
 Stability : ± ppm (at 25 °C)
 Tolerance : ± ppm (°C ~ °C)
 Drive level : μW
 Shunt capacitance : pF
 Packing type : Bulk / Taping / Taping after lead forming

Specifications subjects to change without notice & If you need other specifications, Contact our factory.

TAPING FORM



Symbol	A1	T	C	P	P1	P0	F	Δ
Dimension	11.2	5.0	0.45	12.7	3.81	12.7	5.0	±2°
Symbol	H	D0	t	W	W0	W1	W2	
Dimension	20.0	4.0	0.6	18.0	12.7	9.0	0+1.0-0.0	

Symbol	A1	T	C	P	P1	P0	F	Δ	H
Dimension	11.2	5.0	0.45	12.7	3.81	12.7	5.0	±2°	18.5
Symbol	H0	D0	t	W	W0	W1	W2	H0-W1	
Dimension	16.0	4.0	0.6	18.0	12.7	9.0	0+1-0	6.35	