

# CRYSTAL SBX - 12

HC-49/S CRYSTAL  
SMD TYPE

PICTURE  
AREA

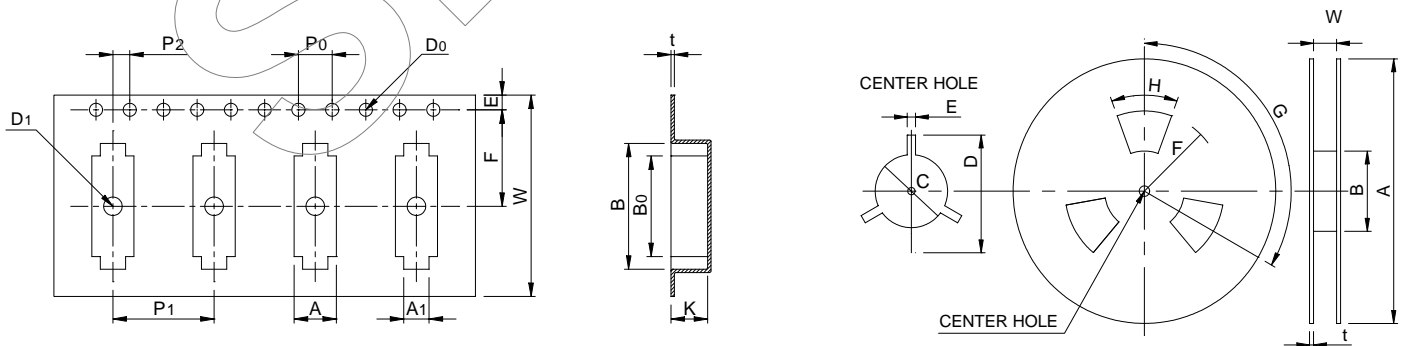
## APPLICATIONS

- ▶ Automatic mounting available
- ▶ Main board
- ▶ Microprocessor
- ▶ High reliability and precision

OUTLINE DIMENSIONS		ELECTRICAL SPECIFICATIONS				
		Frequency range	3.579545MHz to 80.000MHz			
		Frequency tolerance	±10ppm	±20ppm	±30ppm	±50ppm
		Frequency stability	±20ppm	±30ppm	±50ppm	±50ppm
		Operating temperature range	-10 °C ~ 70 °C		-30 °C ~ 80 °C	
		Storage temperature range	-50 °C ~ 125 °C			
		Shunt capacitance (C0)	7pF max.			
		Load capacitance (CL)	9.5pF ~ 33pF or Series			
		Insulation resistance	500MΩ min. (at 100VDC)			
		Drive level	100μW max.			
		Aging (at 25 °C)	±5ppm / year max.			
		Frequency range	ESR (Ω) max.	Oscillation mode		
		3.5795MHz ~ 4.9999MHz	200	Fundamental		
		5.0000MHz ~ 5.9999MHz	150	Fundamental		
		6.0000MHz ~ 7.9999MHz	120	Fundamental		
		8.0000MHz ~ 8.9999MHz	90	Fundamental		
		9.0000MHz ~ 9.9999MHz	80	Fundamental		
		10.0000MHz ~ 13.9999MHz	70	Fundamental		
		14.0000MHz ~ 15.9999MHz	60	Fundamental		
		16.0000MHz ~ 25.0000MHz	40	Fundamental		
		25.0000MHz ~ 29.9999MHz	40	3'rd overtone		
		30.0000MHz ~ 66.6660MHz	100	3'rd overtone		
ORDERING GUIDE						
SBX - 12 - Frequency :						
Load capacitance : pF						
Crystal impedance : Ω						
Stability : ± ppm (at 25 °C)						
Tolerance : ± ppm ( °C ~ °C)						
Drive level : μW						
Shunt capacitance : pF						
Packing type : Bulk / Taping						

Specifications subjects to change without notice & If you need other specifications, Contact our factory.

## TAPING FORM



Symbol	A	B	B0	D0	D1	E
Dimension	5.0	15.0	12.0	1.55	2.2	1.75
Symbol	F	K	P0	P1	t	w
Dimension	11.5	4.35	4.0	12.0	0.4	24.0

Symbol	A	B	C	D
Dimension	330	100	13±0.2	20
Symbol	E	G	t	w
Dimension	1.5	120	2.5	25.4±1.0