

Technical Specification for OCXO

APPROVAL SHEET

CUSTOMER _____ :

ITEM _____ :

FREQUENCY _____ :

PART NUMBER _____ :

APPENDIX _____ :

	Inspector	reviewer	reviewer	Approver
Approval				

SBtron

#301-4, Samju Bldg., 954, Doksan-Dong,
Geumcheon-Gu, Seoul, Korea 153-823

Tel:+82 (2) 858-3947, 851-7921 / Fax:+82 (2) 856-8349

E-mail:sales@sbtron.co.kr overseas@sbtron.co.kr

[www. sbtron.co.kr](http://www.sbtron.co.kr)



OCXO 55A Series

Feature List

1. Output

- Frequency Range 0.625MHz~40.00MHz

Common Frequencies						
5.00MHz	10.00MHz	12.80MHz	13.00MHz	15.00MHz	16.384MHz	19.44MHz
20.00MHz	26.00MHz	38.88MHz	40.00MHz	Others		

- Waveform

	Load	Amplitude(dBm)	Peak-Peak(V)	Harmonic	Stray
Sine Wave	50Ω	0	0.6	≤-50dBc	≤-80dBc
		5	1.0		
		7	1.4		
		13	2.8		
Square Wave	15pF	LVTTTL, TTL, HCMOS			

2. Frequency Stability (Typical, @10.00MHz)

- Temperature Stability Refer to the table of Stability Selection & Coding Rules
- Short-term Stability 2E-12/s, in stable temperature, without EMI/EMC or other interferences, test at 25°C after power-on for one hour

3. Operating Voltage (Optional)

3.3V, 5.0V, 9.0V, 12.0V, 15.0V

4. Power Consumption @25°C

- Warm-up Power Consumption 8.0W Max
- Warm-up Time 3min Max
- Stable Power Consumption 3.0W Max

5. Power Supply

- Linearity ≤10%
- Slope Positive

6. Phase Noise (Typical, @10.00MHz)

- 10Hz -125dBc/Hz
- 100Hz -145dBc/Hz
- 1KHz -150dBc/Hz
- 10KHz -155dBc/Hz
- 100KHz -158dBc/Hz

7. Environment Characteristics

- Operable Working Temperature -40°C ~+85°C
- Storage Temperature -40°C ~+85°C

OCXO 55A Series

- Vibration**

Test Condition: amplitude: 0.75mm; acceleration: 10g; 10Hz~500Hz; a cycle per 30 minutes, test 2 hours in 3 directions, IEC 68-2-06 Test Fc

- Shock**

50g;11ms;half sine wave (test in 3 directions, X,Y,Z) , IEC 68-2-27 Test Ea.

Stability Selection & Coding Rules (Typical, @10.00MHz)

Temperature (°C)	Stability	Day-aging	Year-aging	Stability vs Voltage	Stability vs Load	Code
-10~60	5E-11	5E-11	5E-9	5E-11	5E-11	A
-10~60	1E-10	1E-10	1E-8	1E-10	1E-10	B
-10~60	2E-10	2E-10	2E-8	1E-10	1E-10	C
-20~70	5E-11	5E-11	5E-9	5E-11	5E-11	D
-20~70	1E-10	1E-10	1E-8	1E-10	1E-10	E
-20~70	2E-10	1E-10	1E-8	1E-10	1E-10	F
-30~75	1E-10	1E-10	1E-8	1E-10	1E-10	G
-30~75	2E-10	2E-10	2E-8	1E-10	1E-10	H
-30~75	3E-10	2E-10	2E-8	1E-10	1E-10	I
-40~80	2E-10	2E-10	2E-8	1E-10	1E-10	J
-40~80	5E-10	2E-10	2E-8	2E-10	2E-10	K
-40~80	1E-9	3E-10	3E-8	2E-10	2E-10	L

OCXO

O55A - X X X X - XX.XX MHz

Series No.

Refer to The Code Column

Output Waveform

1	LVTTTL
2	TTL
3	HCMOS
4	Sine Wave

Supply Voltage

1	3.3V
2	5.0V
3	9.0V
4	12.0V
5	15.0V

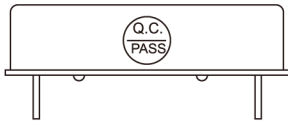
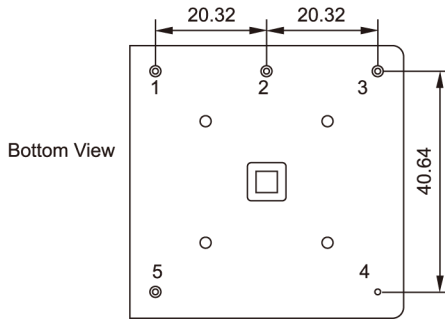
Voltage Control Characteristics

Pull-in Range	Central Voltage	
	1.65V	2.5V
±0.3ppm ~ ±0.5ppm	1	5
±0.5ppm ~ ±0.8ppm	2	6
±0.7ppm ~ ±1.0ppm	3	7
±1.0ppm ~ ±1.5ppm	-	8
N/C	9	

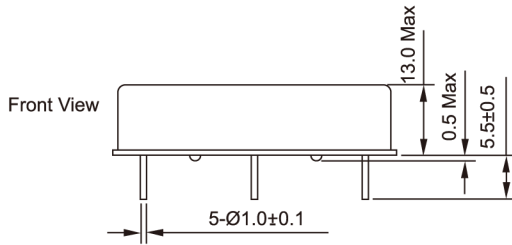
Output Frequency

8. Mechanical Structure

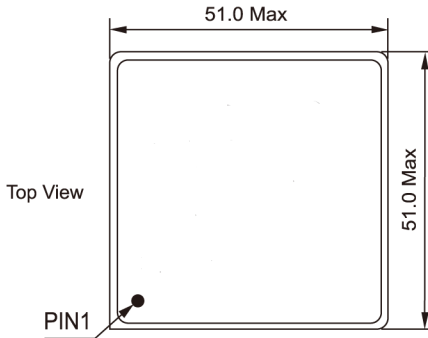
Outlines & Pins Function



Right View



Front View



Top View

Pins Function

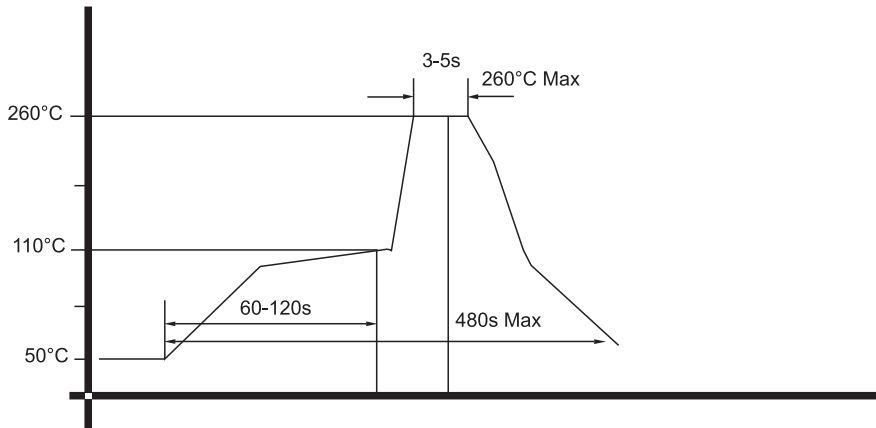
Pin	Function
1	Voltage control (N/C)
2	Voltage reference
3	Frequency output
4	GND
5	Power supply input

*Tolerance $\pm 0.2\text{mm}$ without marking

OCXO 55A Series

9. Weight: 78g (ref.)

10. Wave Soldering Curve (RoHS)



OCXO

11. Package: PVC tube(mm), 5pcs

