

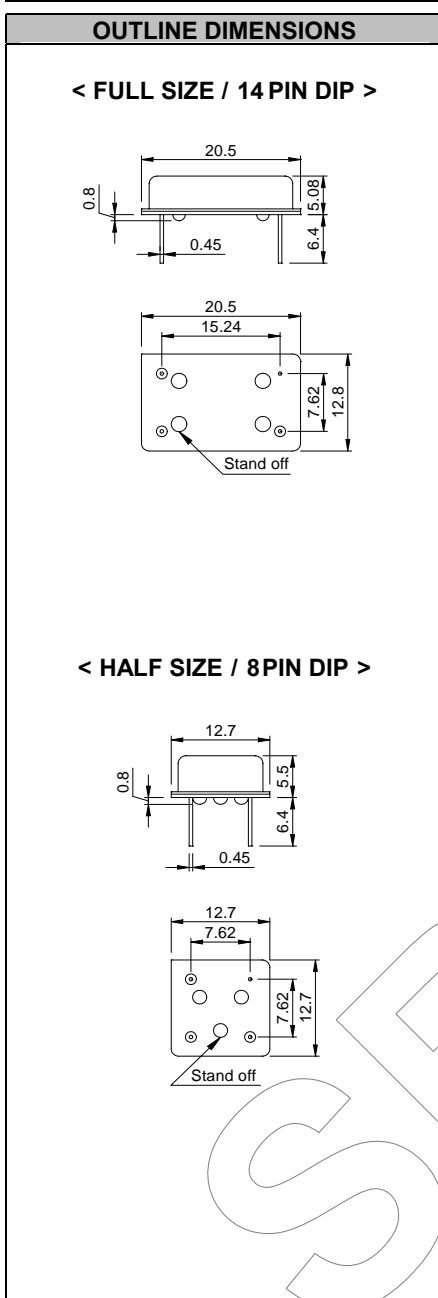
OSCILLATOR SBXO - 13

APPLICATIONS

HIGH PRECISION OSCILLATOR DIP PACKAGE

PICTURE
AREA

- ▶ Ultra high precision
- ▶ Mobile system
- ▶ WLL
- ▶ High reliability and precision



ELECTRICAL SPECIFICATIONS	
Frequency range	1.000MHz to 220.000MHz
Frequency stability	±5ppm ±10ppm ±15ppm
	Inclusive of operating temperature
Operating temperature range	0 °C ~ 70 °C
Storage temperature range	-50 °C ~ 105 °C
Input voltage	+3.3Vdc ±0.3V +5.0Vdc ±0.5V
Input current	35mA max. 55mA max.
"0" / "1" level	+0.4V max. / +3.0V min. +0.5V max. / +4.5V min.
Duty ratio	60/40% or 40/60% (typical)
Rise & Fall time	10nS max. at +5.0Vdc (+0.5Vdc to +4.5Vdc)
	5nS max. at +3.3Vdc (+0.4Vdc to +2.4Vdc)
Start up time	10mS max. (at +5.0Vdc)
	5mS max. (at +3.3Vdc)
Fan out	15pF // 10 TTL
Aging (at 25 °C)	±5ppm / year max.

ENVIRONMENTAL & MECHANICAL SPECIFICATIONS	
Shock	MIL-STD-883C, Method 2002, Condition B
Vibration	MIL-STD-883C, Method 2007, Condition A
Solderability	MIL-STD-883C, Method 2003
Seal integrity	MIL-STD-883C, Method 1014, Condition C & A2
Marking	MIL-STD-202F, Method 215

