

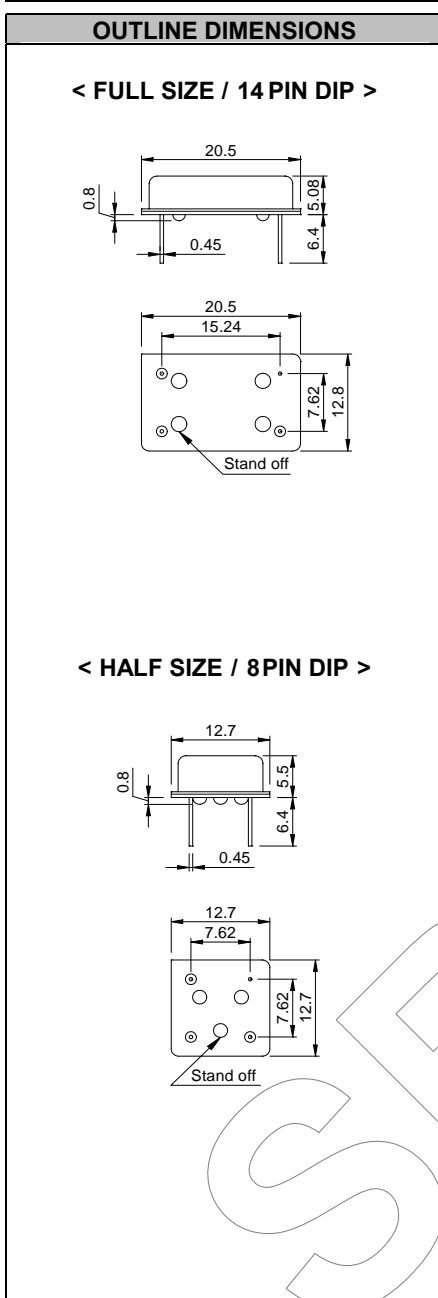
OSCILLATOR SBXO - 14

APPLICATIONS

LOW FREQUENCY OSCILLATOR DIP PACKAGE

PICTURE
AREA

- ▶ Ultra low frequency
- ▶ LCD monitor
- ▶ Microprocessor
- ▶ High reliability and precision



ELECTRICAL SPECIFICATIONS		
Frequency range	10Hz to 999KHz	
Frequency stability	±25ppm	±50ppm
	±100ppm	
Inclusive of operating temperature		
Operating temperature range	0 °C ~ 70 °C	
Storage temperature range	-50 °C ~ 105 °C	
Input voltage	+3.3Vdc ±0.3V	+5.0Vdc ±0.5V
Input current	5mA max.	10mA max.
"0" / "1" level	+0.4V max. / +3.0V min.	+0.5V max. / +4.5V min.
Duty ratio	60/40% or 40/60% (typical)	
Rise & Fall time	10nS max. at +5.0Vdc (+0.5Vdc to +4.5Vdc)	
	5nS max. at +3.3Vdc (+0.4Vdc to +2.4Vdc)	
Start up time	15mS max. (at +5.0Vdc)	
	10mS max. (at +3.3Vdc)	
Fan out	15pF // 10 TTL	
Aging (at 25 °C)	±5ppm / year max.	

ENVIRONMENTAL & MECHANICAL SPECIFICATIONS	
Shock	MIL-STD-883C, Method 2002, Condition B
Vibration	MIL-STD-883C, Method 2007, Condition A
Solderability	MIL-STD-883C, Method 2003
Seal integrity	MIL-STD-883C, Method 1014, Condition C & A2
Marking	MIL-STD-202F, Method 215

