

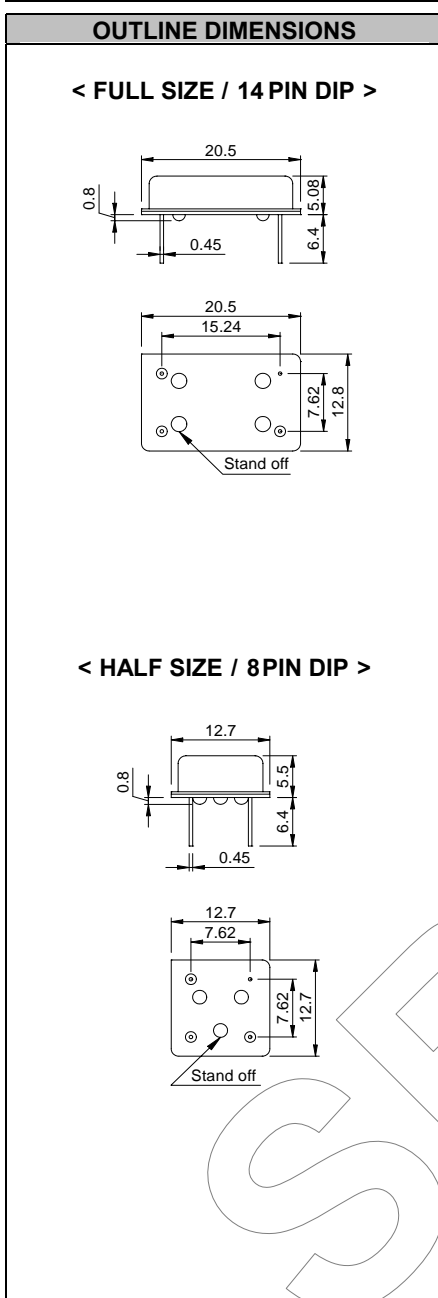
# OSCILLATOR SBXO - 15

## APPLICATIONS

HIGH FREQUENCY OSCILLATOR  
DIP PACKAGE

PICTURE  
AREA

- ▶ Suppress jitter
- ▶ SONET
- ▶ OC series
- ▶ Transmission system



ELECTRICAL SPECIFICATIONS	
Frequency range	83.000MHz to 1.000GHz
Frequency stability	±25ppm      ±50ppm      ±100ppm
	Inclusive of operating temperature
Operating temperature range	0 °C ~ 70 °C
Storage temperature range	-50 °C ~ 105 °C
Input voltage	+3.3Vdc ±0.3V      +5.0Vdc ±0.5V
Input current	80mA max.      100mA max.
"0" / "1" level	+0.4V max. / +3.0V min.      +0.5V max. / +4.5V min.
Duty ratio	60/40% or 40/60% (typical)
Rise & Fall time	8nS max. at +5.0Vdc (+0.5Vdc to +4.5Vdc)
	4nS max. at +3.3Vdc (+0.4Vdc to +2.4Vdc)
Start up time	10mS max. (at +5.0Vdc)
	5mS max. (at +3.3Vdc)
Fan out	15pF // 10 TTL
Aging (at 25 °C)	±5ppm / year max.

ENVIRONMENTAL & MECHANICAL SPECIFICATIONS	
Shock	MIL-STD-883C, Method 2002, Condition B
Vibration	MIL-STD-883C, Method 2007, Condition A
Solderability	MIL-STD-883C, Method 2003
Seal integrity	MIL-STD-883C, Method 1014, Condition C & A2
Marking	MIL-STD-202F, Method 215

