

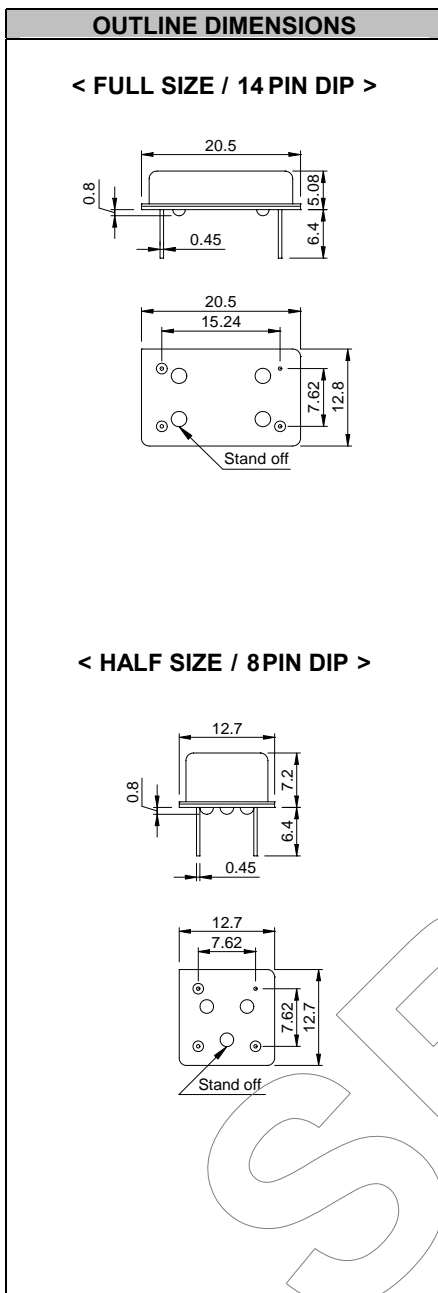
# OSCILLATOR SBXO - 16

## APPLICATIONS

LOW POWER & CURRENT OSC.  
DIP PACKAGE

PICTURE  
AREA

- ▶ Ultra low voltage & low current
- ▶ Mobile system
- ▶ RAM driving
- ▶ High reliability and precision



ELECTRICAL SPECIFICATIONS				
Frequency range	1.250MHz to 80.000MHz			
Frequency stability	±25ppm	±50ppm	±100ppm	
	Inclusive of operating temperature			
Operating temperature range	0 °C ~ 70 °C			
Storage temperature range	-50 °C ~ 105 °C			
Input voltage	+1.5Vdc	+1.6Vdc	+1.8Vdc	+2.0Vdc
Input current	6mA max.	8mA max.	10mA max.	13mA max.
"0" / "1" level	+0.3V max. / +1.3V min.			
Duty ratio	60/40% or 40/60% (at 1/2 Vdd)			
Rise & Fall time	5nS max. ( 1.250MHz to 24.999MHz)			
	3nS max. (25.000MHz to 80.000MHz)			
Start up time	5mS max. ( 1.250MHz to 24.999MHz)			
	3mS max. (25.000MHz to 80.000MHz)			
Fan out	15pF // 10 TTL			
Aging (at 25 °C)	±5ppm / year max.			

ENVIRONMENTAL & MECHANICAL SPECIFICATIONS	
Shock	MIL-STD-883C, Method 2002, Condition B
Vibration	MIL-STD-883C, Method 2007, Condition A
Solderability	MIL-STD-883C, Method 2003
Seal integrity	MIL-STD-883C, Method 1014, Condition C & A2
Marking	MIL-STD-202F, Method 215

**PART NUMBERING GUIDE**

**S B X O 1 6 B A H 1 8**

**Sbtron** → S  
**Oscillator** → B  
**Model No.** → X  
**Frequency stability** → O  
 A = ± 25 ppm  
 B = ± 50 ppm  
 C = ±100 ppm  
 D = Customize  
 → 1  
 → 6  
 → B  
 → A  
 → H  
 → 18

**Input voltage**  
 15 = 1.5Volt / 16 = 1.6Volt  
 18 = 1.8Volt / 20 = 2.0Volt

**Package type**  
 H = Half size / 8 Pin DIP  
 F = Full size / 14 Pin DIP

**Temperature range**  
 A = 0 °C ~ 70 °C  
 B = -20 °C ~ 70 °C  
 C = -30 °C ~ 80 °C  
 D = Customize

*Standard specifications for product indicated in BLUE character  
 Specifications subjects to change without notice & If you need other specifications, Contact our factory.*

