

OSCILLATOR SBXO - 21

PECL OSCILLATOR
DIP PACKAGE

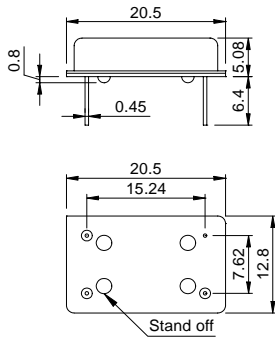
APPLICATIONS

- ▶ Low jitter
- ▶ SONET
- ▶ Repeater
- ▶ OC series / STM1

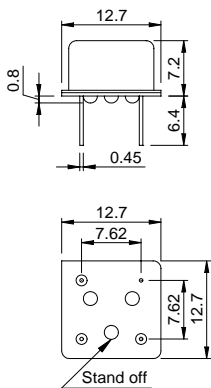
PICTURE
AREA

OUTLINE DIMENSIONS

< FULL SIZE / 14 PIN DIP >



< HALF SIZE / 8 PIN DIP >



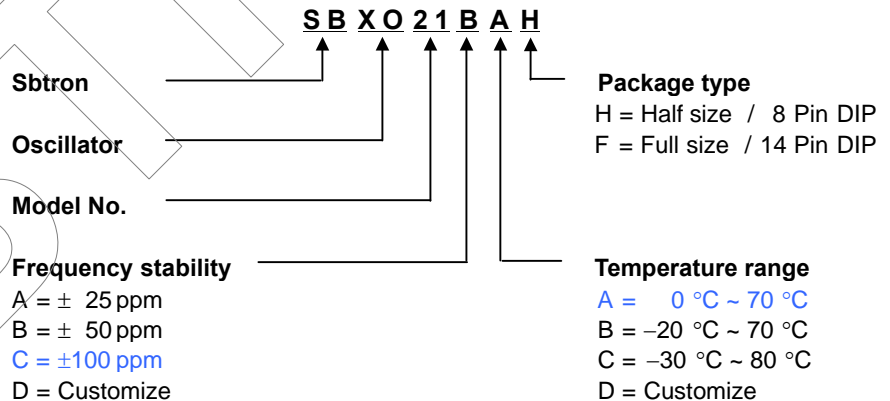
ELECTRICAL SPECIFICATIONS

Frequency range	700KHz to 800.000MHz		
Frequency stability	±25ppm	±50ppm	±100ppm
	Inclusive of operating temperature		
Operating temperature range	0 °C ~ 70 °C		
Storage temperature range	-50 °C ~ 105 °C		
Input voltage	+3.3Vdc ±0.3V		
Input current	70mA max.		
"0" level	Vcc -1.620V _{DC} max.		
"1" level	Vcc -1.025V _{DC} min.		
Duty ratio	55/45% or 45/55% (at Vcc -1.3V _{DC})		
Rise & Fall time	2nS max. (at 20% to 80%)		
Period jitter	9pS max. (In case of 155.520MHz)		
Phase noise relative to carrier (In case of 155.520MHz)	@ 10Hz : -65dBc/Hz	@ 10KHz : -128dBc/Hz	
	@ 100Hz : -95dBc/Hz	@ 100KHz : -125dBc/Hz	
	@ 1KHz : -114dBc/Hz		
Load drive capability	50Ω		
Aging (at 25 °C)	±5ppm / year max.		

ENVIRONMENTAL & MECHANICAL SPECIFICATIONS

Shock	MIL-STD-883C, Method 2002, Condition B
Vibration	MIL-STD-883C, Method 2007, Condition A
Solderability	MIL-STD-883C, Method 2003
Seal integrity	MIL-STD-883C, Method 1014, Condition C & A2
Marking	MIL-STD-202F, Method 215

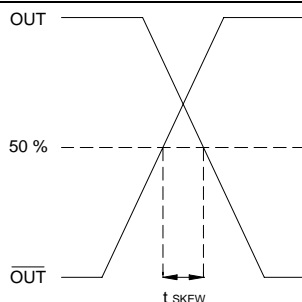
PART NUMBERING GUIDE



Standard specifications for product indicated in **BLUE** character

Specifications subjects to change without notice & If you need other specifications, Contact our factory.

PECL OUTPUT SKEW



PECL LEVELS TEST CIRCUIT

