

OSCILLATOR SBXO - 22

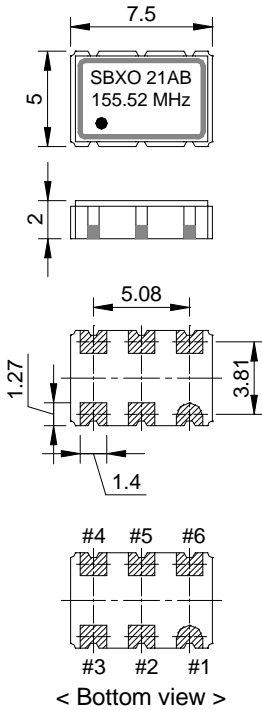
PECL SMD OSCILLATOR
7.5mm X 5mm X 2mm(H)

APPLICATIONS

- ▶ Low jitter
- ▶ SONET
- ▶ Repeater
- ▶ OC series / STM1

PICTURE
AREA

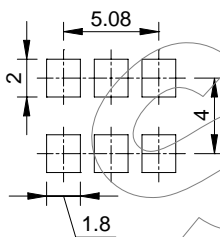
OUTLINE DIMENSIONS



< Bottom view >

Pin No.	Function
#1	No connect
#2	Tri-state
#3	GND
#4	Frequency output
#5	Complement output
#6	Vcc

< PAD LAYOUT >



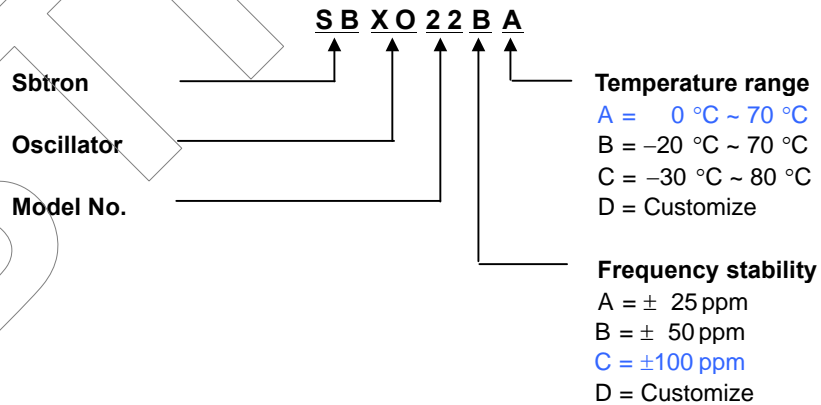
ELECTRICAL SPECIFICATIONS

Frequency range	1.500MHz to 700.000MHz		
Frequency stability	±25ppm	±50ppm	±100ppm
	Inclusive of operating temperature		
Operating temperature range	0 °C ~ 70 °C		
Storage temperature range	-55 °C ~ 125 °C		
Input voltage	+3.3Vdc ±0.15V		
Input current	100mA max. (at 700.000MHz)		
"0" level	Vcc - 1.63V _{DC} max.		
"1" level	Vcc - 1.02V _{DC} min.		
Duty ratio	55/45% or 45/55% (at Vcc - 1.3V _{DC})		
Rise & Fall time	1nS max. (at 20% to 80%)		
Cycle to cycle jitter	10pS RMS / Typical		
Phase noise relative to carrier (Typical)	@ 10Hz : -45dBc/Hz	@ 10KHz : -140dBc/Hz	
	@ 100Hz : -90dBc/Hz	@ 100KHz : -145dBc/Hz	
	@ 1KHz : -120dBc/Hz		
Load drive capability	50Ω		
Aging (at 25 °C)	±5ppm / year max.		

ENVIRONMENTAL & MECHANICAL SPECIFICATIONS

Shock	MIL-STD-883C, Method 2002, Condition B
Vibration	MIL-STD-883C, Method 2007, Condition A
Solderability	MIL-STD-883C, Method 2003
Seal integrity	MIL-STD-883C, Method 1014, Condition C & A2
Marking	MIL-STD-202F, Method 215

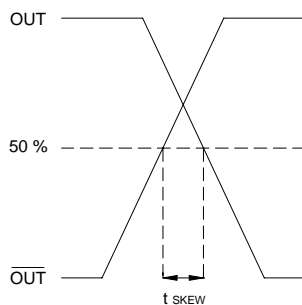
PART NUMBERING GUIDE



Standard specifications for product indicated in **BLUE** character

Specifications subjects to change without notice & If you need other specifications, Contact our factory.

PECL OUTPUT SKEW



PECL LEVELS TEST CIRCUIT

