

SBTO-30

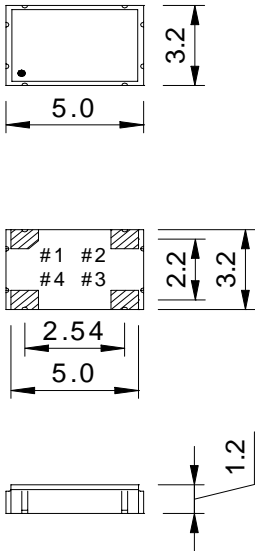
HC MOS
SMD PACKAGE

APPLICATIONS

- ▶ Ultra stable frequency
- ▶ FEMTO - CELL
- ▶ Wi-Bro / 3G(CDMA, W-CDMA)
- ▶ GPRS / GSM

PICTURE
AREA

OUTLINE DIMENSIONS



Pin no.	Function
#1	V control or no connection
#2	GND
#3	Frequency output
#4	VCC

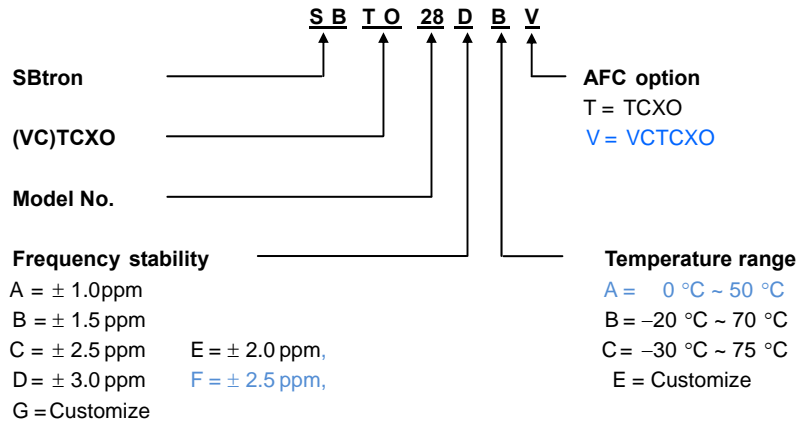
ELECTRICAL SPECIFICATIONS

Frequency range	10MHz~40MHz
Frequency stability	± 1.0 ppm max. (Before reflow) ± 2.5 ppm max. (Inclusive of operating temperature range.)
Operating temperature range	See below
Storage temperature range	-30 °C ~ 80 °C
Input voltage	+3.3Vdc ± 0.15 V to +5.0Vdc ± 0.5 V
Input current	7mA max.
Output wave form	HC MOS
Load	15pF
Symmetry	45/55% or 55/45% min.
Output high voltage (V _{OH})	+2.5V min.
Output low voltage (V _{OL})	+0.3V max.
Rising time (Tr)	5nS max. (at 10% to 90% Vdc)
Falling time (Tf)	5nS max. (at 90% to 100% Vdc)
Input voltage stability	± 0.2 ppm max. (at +3.3Vdc ± 0.15 V)
Input load stability	± 0.2 ppm max. (at 15pF ± 2 pF)
Aging (at 25 °C)	± 1.0 ppm max. / year
AFC characteristic	± 10 ppm typical (at +1.5Vdc ± 1.0 V) (Option)
Polarity & Linearity	Positive slope / 10% max.

ENVIRONMENTAL & MECHANICAL SPECIFICATIONS

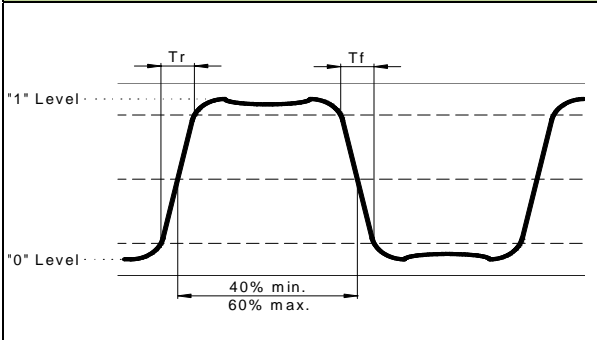
Shock	MIL-STD-883C, Method 2002, Condition B
Vibration	MIL-STD-883C, Method 2007, Condition A
Solder ability	MIL-STD-883C, Method 2003

PART NUMBERING GUIDE

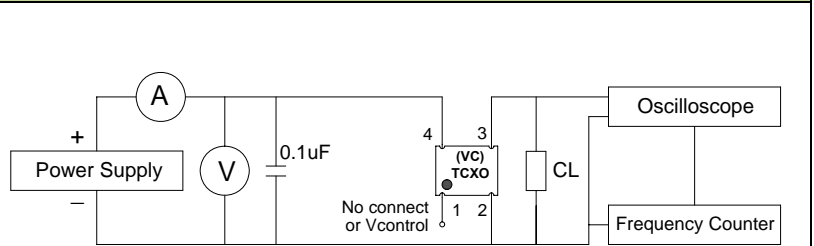


Specifications subjects to change without notice & If you need other specifications, Contact our factory.

WAVE FORM



TEST CIRCUIT



NOTE : CL = INCLUDES ALL STRAY LOADING CAPACITANCE