

# TCXO SBTO - 15

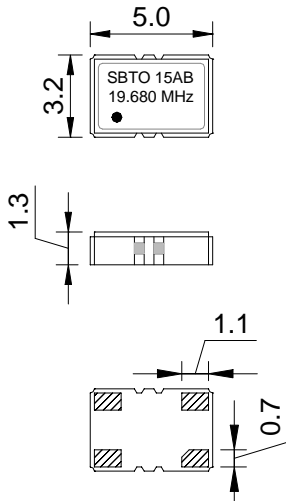
SINE WAVE  
SMD PACKAGE

## APPLICATIONS

- ▶ Stable frequency
- ▶ Measurement system
- ▶ Communication system
- ▶ Cellular phone

PICTURE  
AREA

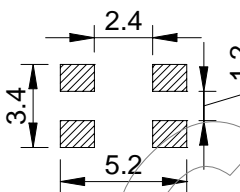
### OUTLINE DIMENSIONS



< Bottom view >

Pin	Function
1	Vcont. or no connect
2	GND
3	Frequency output
4	Vcc

< PAD LAYOUT >



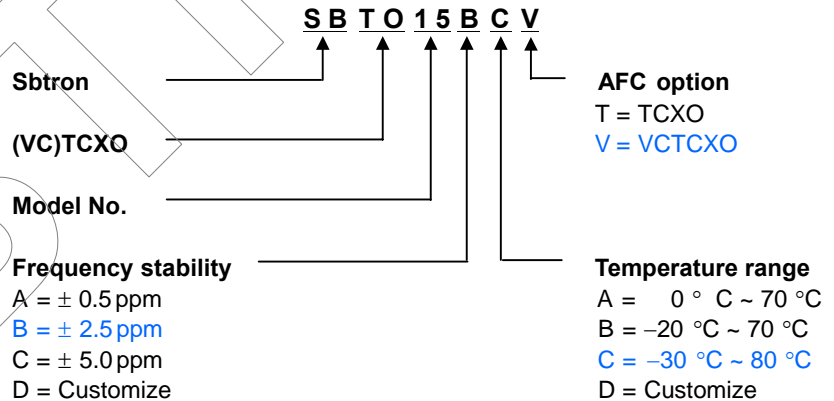
### ELECTRICAL SPECIFICATIONS

Frequency range	10.000MHz to 40.000MHz		
Frequency stability	±0.5ppm	±2.5ppm	±5.0ppm
	Inclusive of operating temperature		
Operating temperature range	-30 °C ~ 80 °C		
Storage temperature range	-55 °C ~ 125 °C		
Input voltage	+3.0Vdc ±0.3V (3.3V available)		
Input current	2mA max.		
Output wave form	0.8Vp-p min. (Clipped sine wave)		
Input voltage stability	±0.3ppm max. (at +3.0Vdc ±0.3V)		
Input impedance	1MΩ		
Load	10KΩ // 10pF		
Aging (at 25 °C)	±1.0ppm max. / year		
AFC characteristic (option)	±15ppm max. (at +1.5Vdc ±1.0V)		
Polarity	Positive		
Phase noise	100Hz : -115dBc/Hz		
	1KHz : -135dBc/Hz		
	10KHz : -148dBc/Hz		

### ENVIRONMENTAL & MECHANICAL SPECIFICATIONS

Shock	MIL-STD-883C, Method 2002, Condition B
Vibration	MIL-STD-883C, Method 2007, Condition A
Solderability	MIL-STD-883C, Method 2003
Seal integrity	MIL-STD-883C, Method 1014, Condition C & A2
Marking	MIL-STD-202F, Method 215

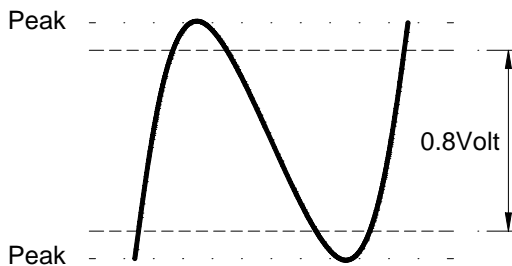
### PART NUMBERING GUIDE



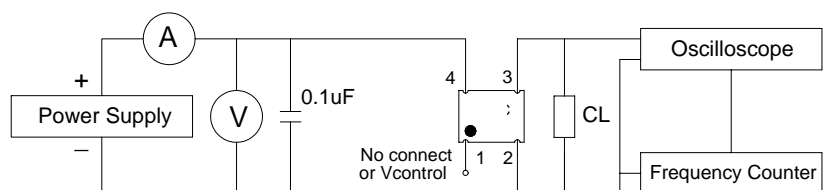
Standard specifications for product indicated in **BLUE** character

Specifications subjects to change without notice & If you need other specifications, Contact our factory.

### WAVE FORM



### TEST CIRCUIT



NOTES : (1) CL ... 10pF INCLUDES ALL STRAY AND SCOPE/CTR. LOADING CAPACITANCE