

# TCXO SBTO - 17

SINE WAVE

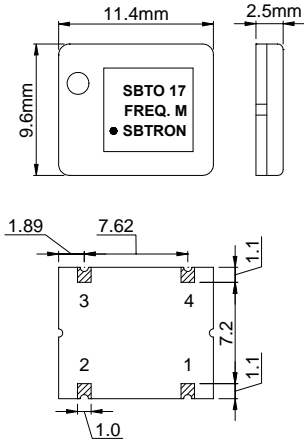
11.4 X 9.6 X 2.5(H)

## APPLICATIONS

- ▶ Repeater
- ▶ Measurement system
- ▶ Communication system
- ▶ RF module

PICTURE  
AREA

### OUTLINE DIMENSIONS



< Bottom View >

| Pin | Function             |
|-----|----------------------|
| 1   | Vcont. or no connect |
| 2   | GND                  |
| 3   | Frequency output     |
| 4   | Vcc                  |

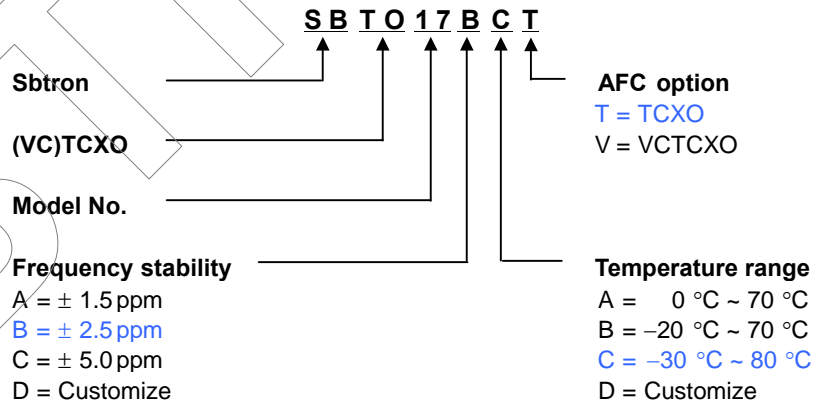
### ELECTRICAL SPECIFICATIONS

|                             |                                    |         |         |
|-----------------------------|------------------------------------|---------|---------|
| Frequency range             | 10.000MHz to 30.000MHz             |         |         |
| Frequency stability         | ±1.5ppm                            | ±2.5ppm | ±5.0ppm |
|                             | Inclusive of operating temperature |         |         |
| Operating temperature range | -30 °C ~ 80 °C                     |         |         |
| Storage temperature range   | -55 °C ~ 125 °C                    |         |         |
| Input voltage               | +3.3Vdc ±0.3V (5.0V available)     |         |         |
| Input current               | 3mA max.                           |         |         |
| Output wave form            | 1.0Vp-p min. (Clipped sine wave)   |         |         |
| Input voltage stability     | ±0.3ppm max. (at +3.0Vdc ±0.3V)    |         |         |
| Input impedance             | 1MΩ                                |         |         |
| Load                        | 10KΩ // 10pF                       |         |         |
| Aging (at 25 °C)            | ±1.0ppm max. / year                |         |         |
| AFC characteristic (option) | ±10ppm min. (at +1.65Vdc ±1.65V)   |         |         |
| Polarity                    | Positive                           |         |         |
| Phase noise                 | 100Hz : -120dBc/Hz                 |         |         |
|                             | 1KHz : -135dBc/Hz                  |         |         |
|                             | 10KHz : -148dBc/Hz                 |         |         |

### ENVIRONMENTAL & MECHANICAL SPECIFICATIONS

|                |   |
|----------------|---|
| Shock          | MIL-STD-883C, Method 2002, Condition B      |
| Vibration      | MIL-STD-883C, Method 2007, Condition A      |
| Solderability  | MIL-STD-883C, Method 2003                   |
| Seal integrity | MIL-STD-883C, Method 1014, Condition C & A2 |
| Marking        | MIL-STD-202F, Method 215                    |

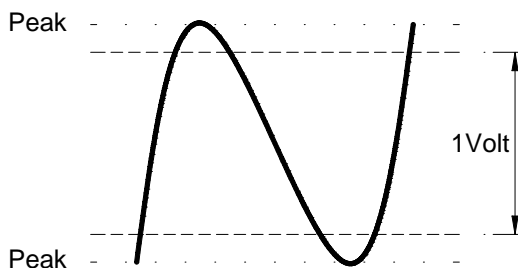
### PART NUMBERING GUIDE



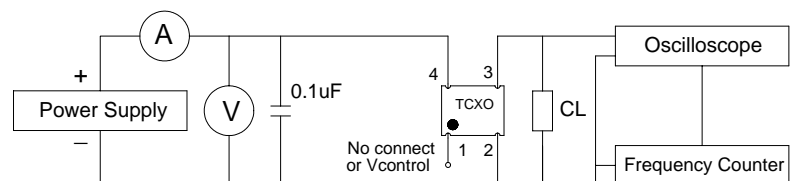
Standard specifications for product indicated in **BLUE** character

Specifications subjects to change without notice & If you need other specifications, Contact our factory.

### WAVE FORM



### TEST CIRCUIT



NOTES : (1) CL ... 10pF INCLUDES ALL STRAY AND SCOPE/CTR. LOADING CAPACITANCE