

TCXO SBTO - 23

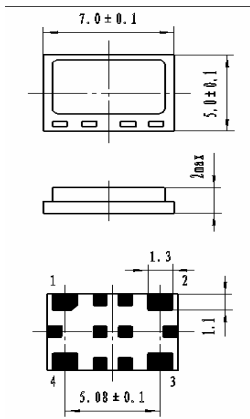
SINE WAVE / CMOS
SMD PACKAGE

APPLICATIONS

- ▶ Stable frequency
- ▶ Measurement system
- ▶ Communication system
- ▶ Cellular phone

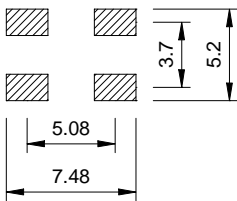
PICTURE
AREA

OUTLINE DIMENSIONS



Pin	Function
1	Vcont. or no connect
2	GND
3	Frequency output
4	Vcc

< PAD LAYOUT >



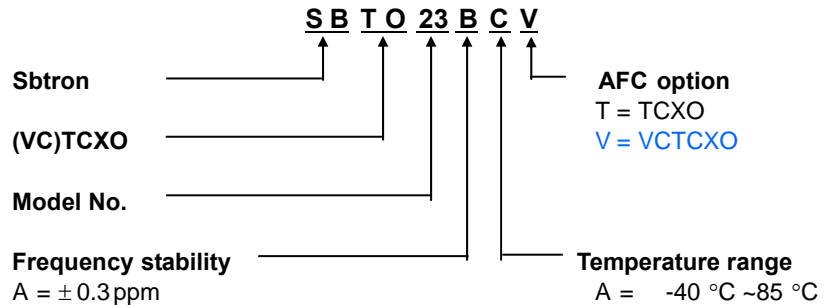
ELECTRICAL SPECIFICATIONS

Frequency range	4.096MHz to 35.000MHz
Frequency stability	±0.3ppm Inclusive of operating temperature
Operating temperature range	-40 °C ~ 85 °C
Storage temperature range	-55 °C ~ 125 °C
Input voltage	+3.0Vdc ±0.3V
Input current	1mA max.
Output wave form	0.8Vp-p min. (Clipped sine wave) CMOS 3V
Input voltage stability	(at +3.0Vdc ±0.3V)
Input impedance	1MΩ
Load	10KΩ // 10pF
Aging (at 25 °C)	±1.0ppm max. / year
AFC characteristic (option)	±10ppm max. (at +1.5Vdc±1.0V)
Polarity	Positive
Phase noise	100Hz : -110dBc/Hz 1KHz : -125dBc/Hz 10KHz : -130dBc/Hz

ENVIRONMENTAL & MECHANICAL SPECIFICATIONS

Shock	MIL-STD-883C, Method 2002, Condition B
Vibration	MIL-STD-883C, Method 2007, Condition A
Solderability	MIL-STD-883C, Method 2003
Seal integrity	MIL-STD-883C, Method 1014, Condition C & A2
Marking	MIL-STD-202F, Method 215

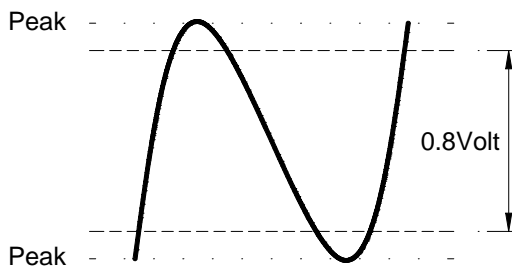
PART NUMBERING GUIDE



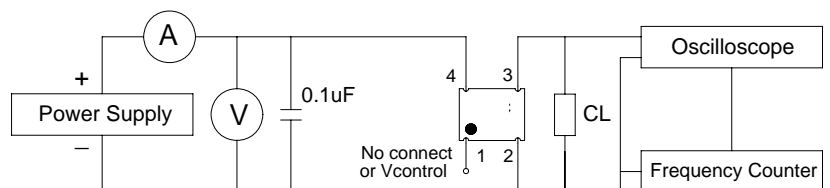
Standard specifications for product indicated in **BLUE** character

Specifications subjects to change without notice & If you need other specifications, Contact our factory.

WAVE FORM



TEST CIRCUIT



NOTES : (1) CL ... 10pF INCLUDES ALL STRAY AND SCOPE/CTR. LOADING CAPACITANCE

